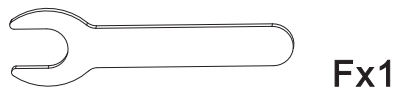
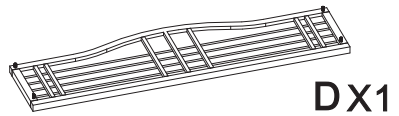
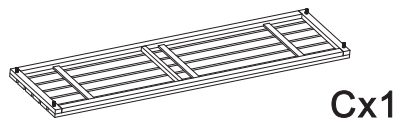
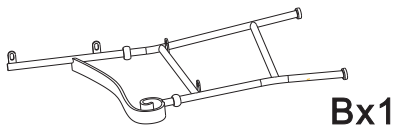
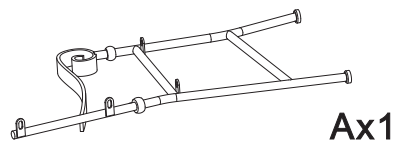
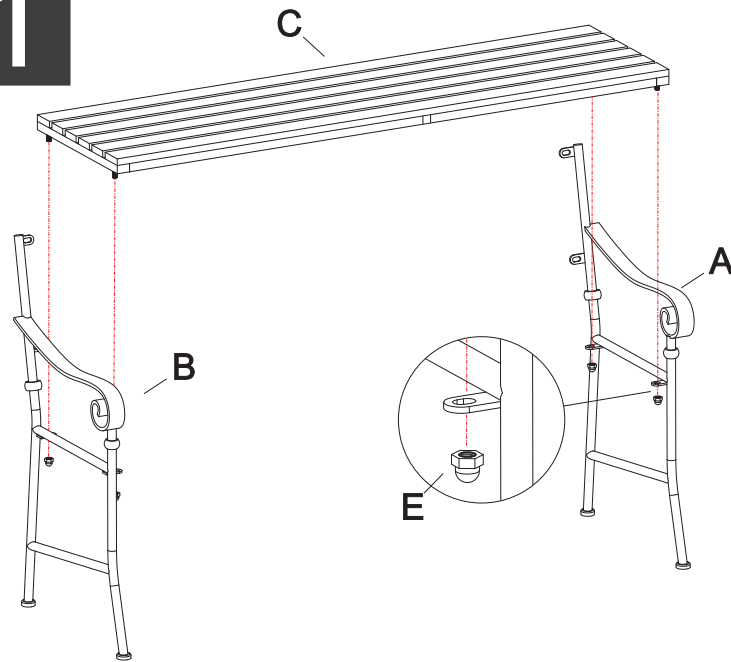


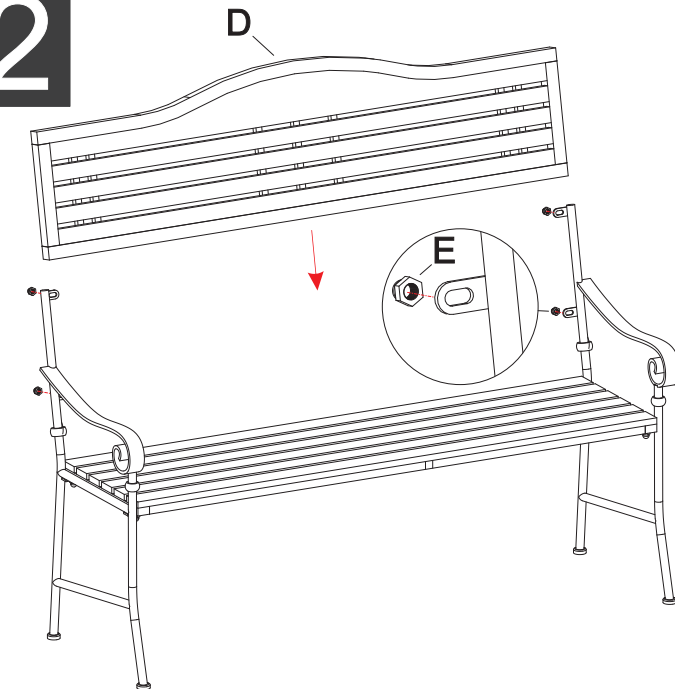
# Assemble Instruction



**1**



**2**



**3**

