

**NOTICE DE MONTAGE**  
ASSEMBLING  
INSTRUCTIONS

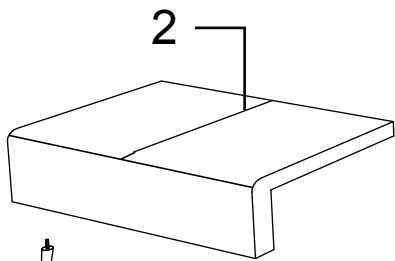
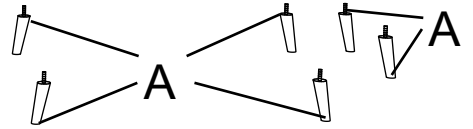
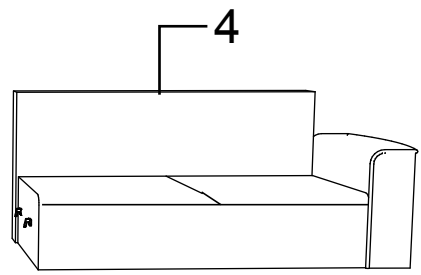
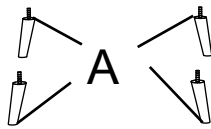
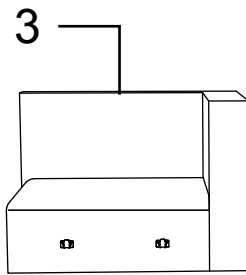
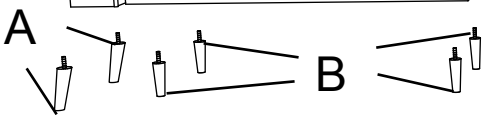
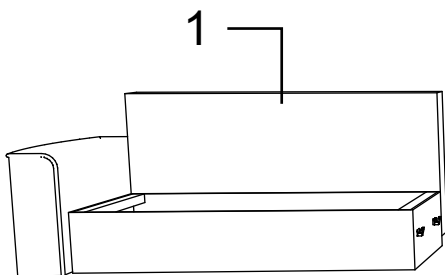
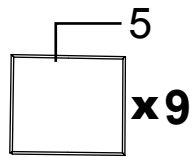
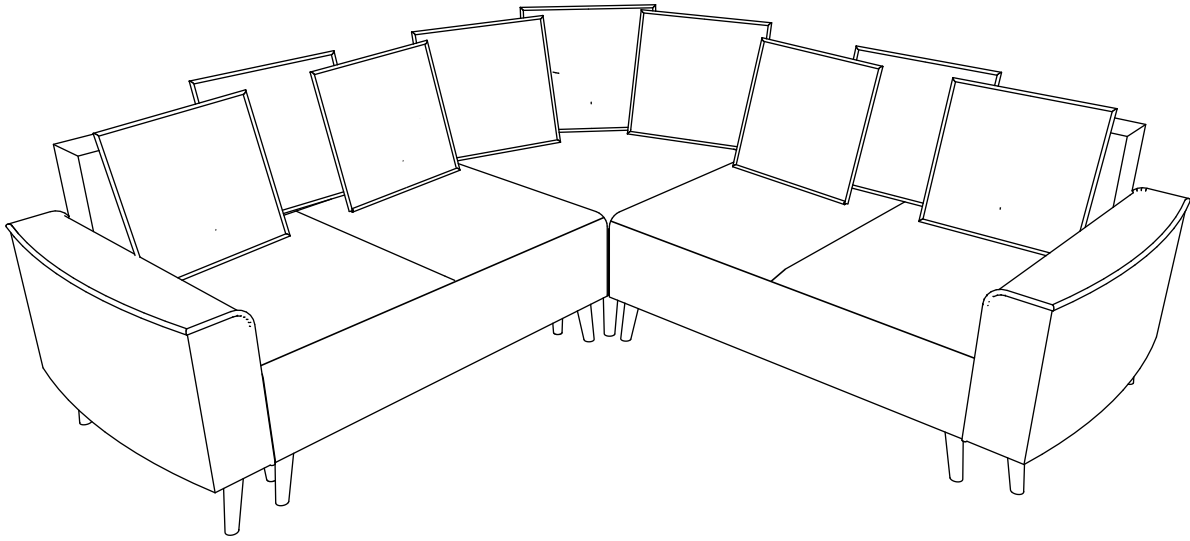
**GAIA PANO**  
**2QBK - PE - 2S**



50 min



x2



**A**

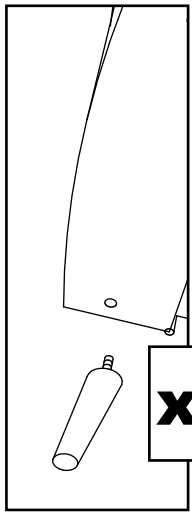
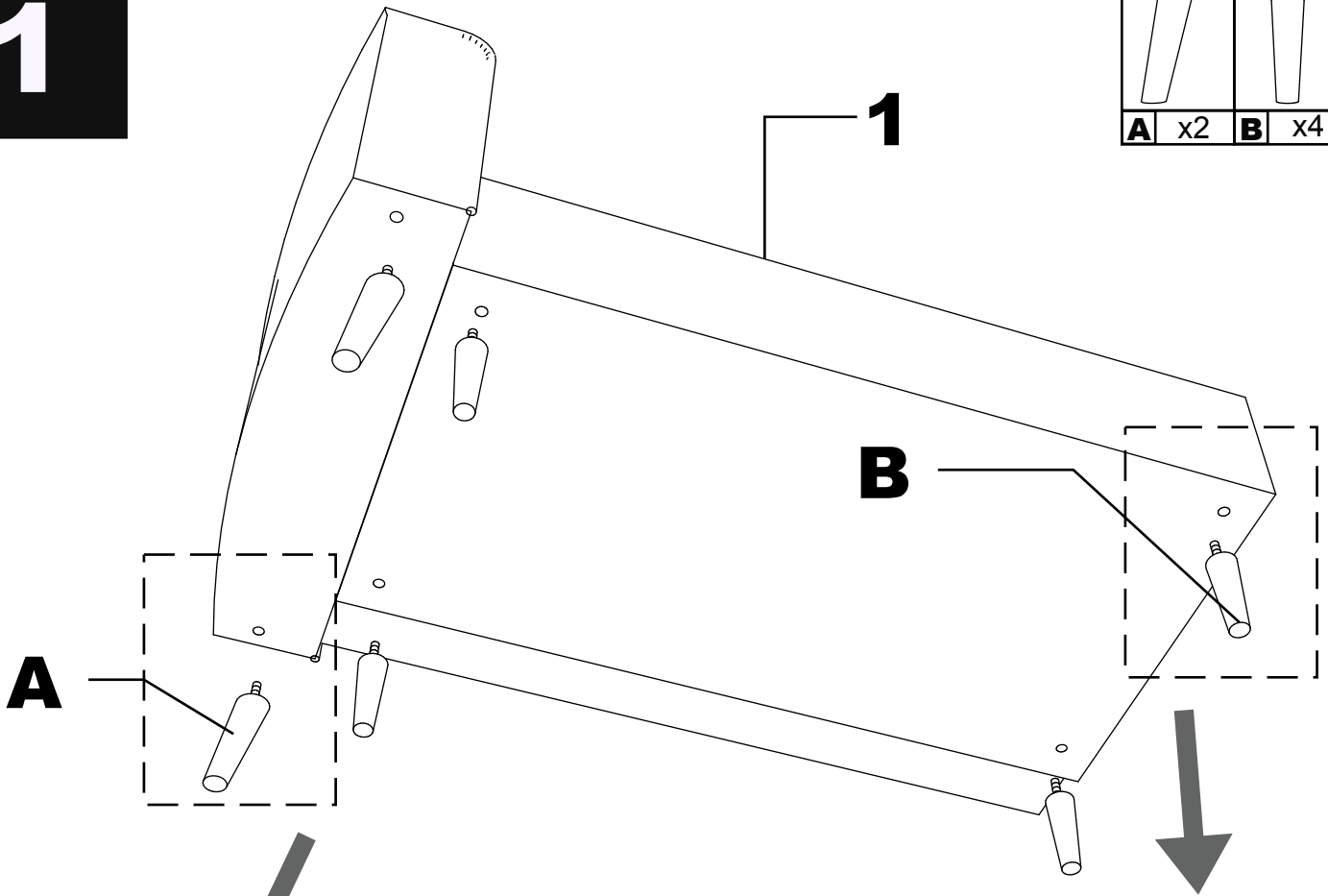
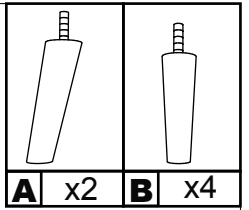
x12

**B**

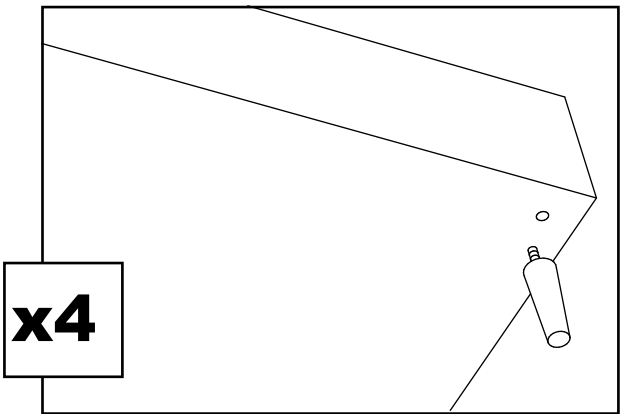
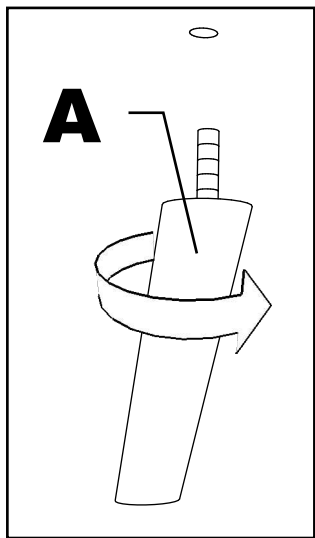
x4



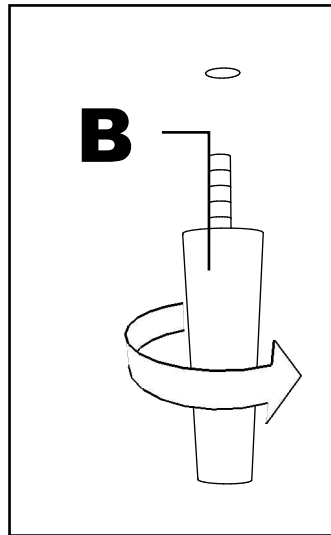
**1**



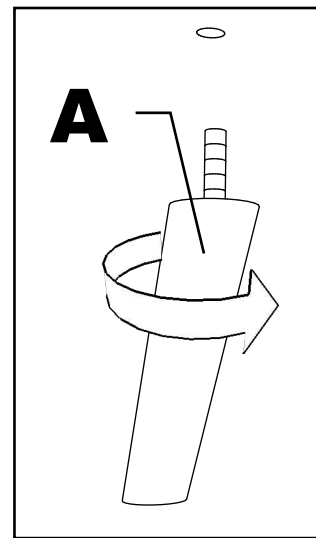
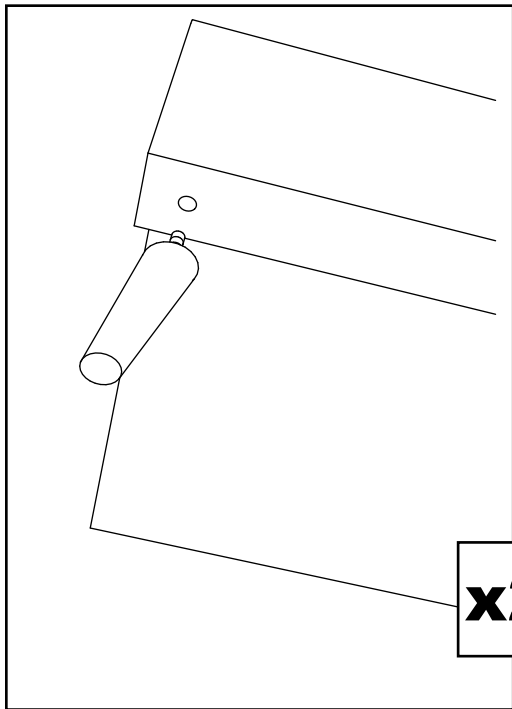
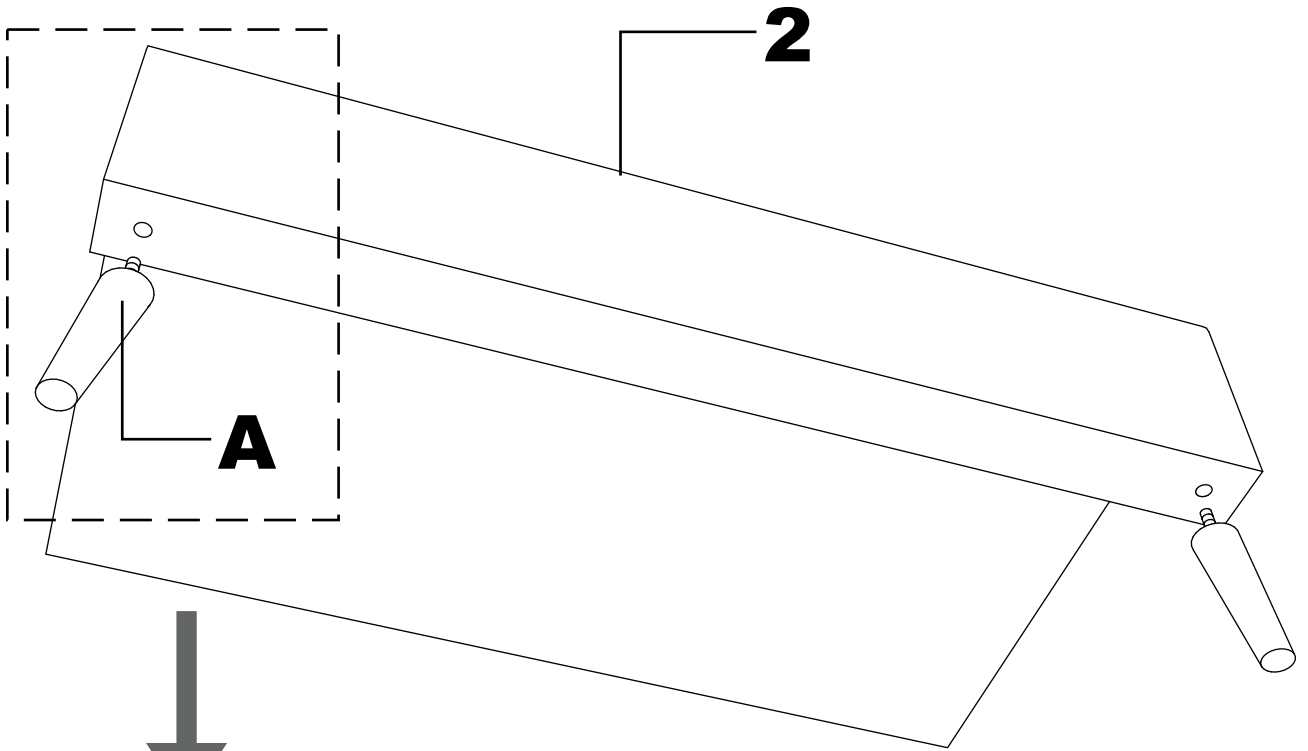
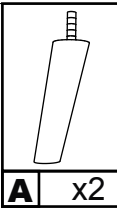
**x2**



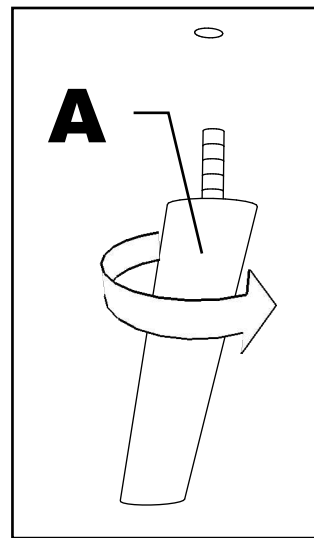
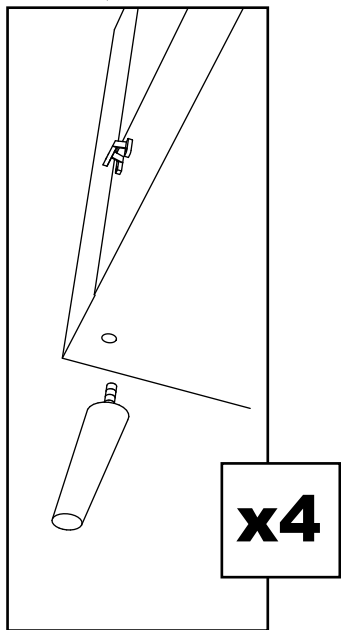
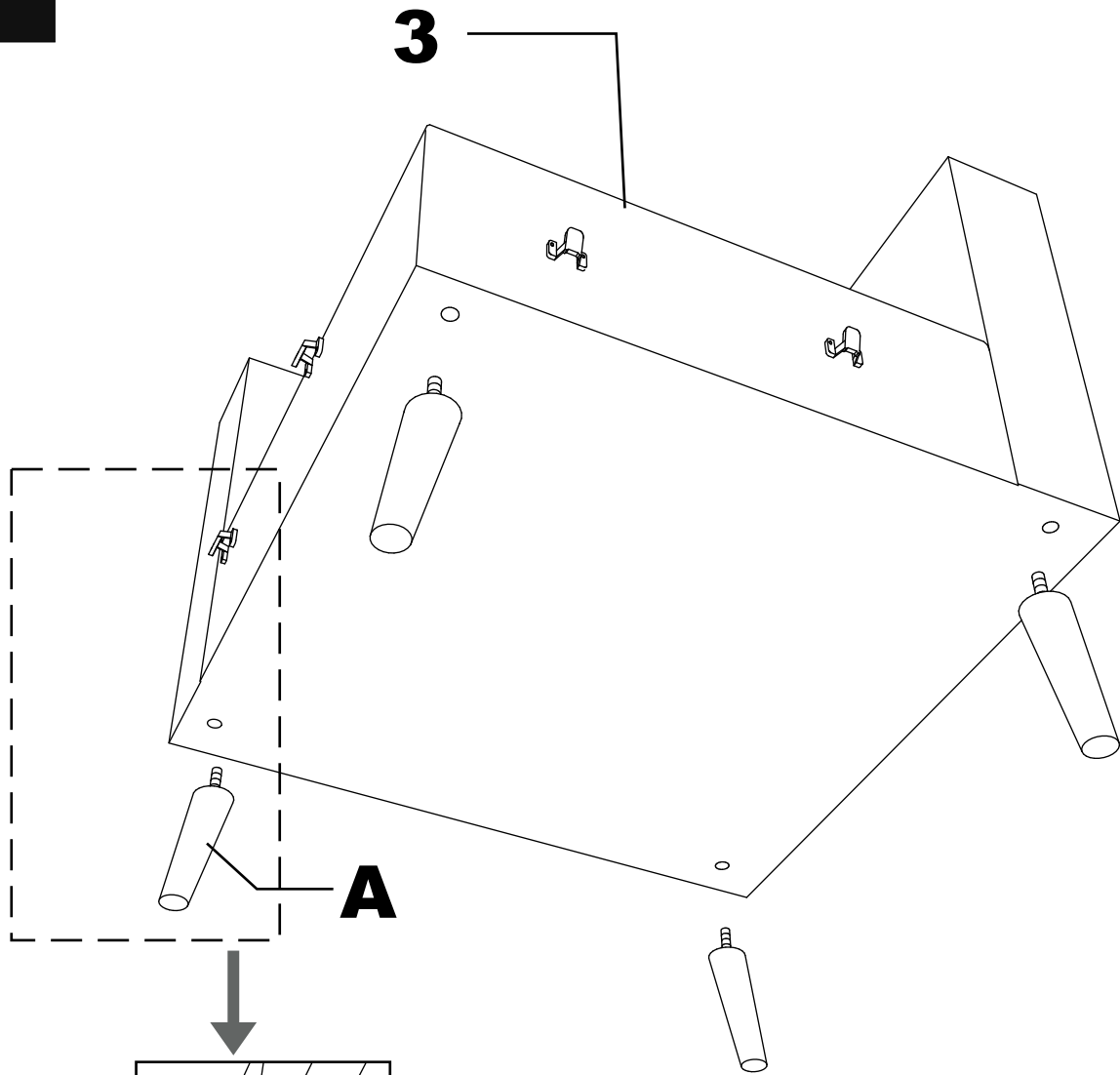
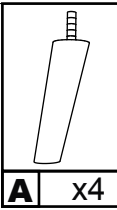
**x4**



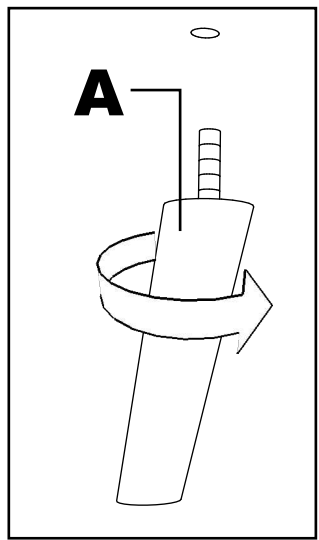
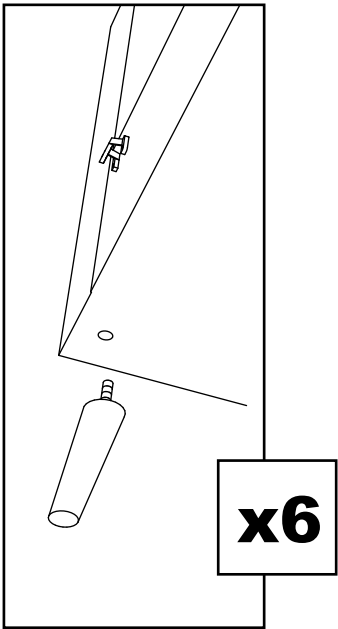
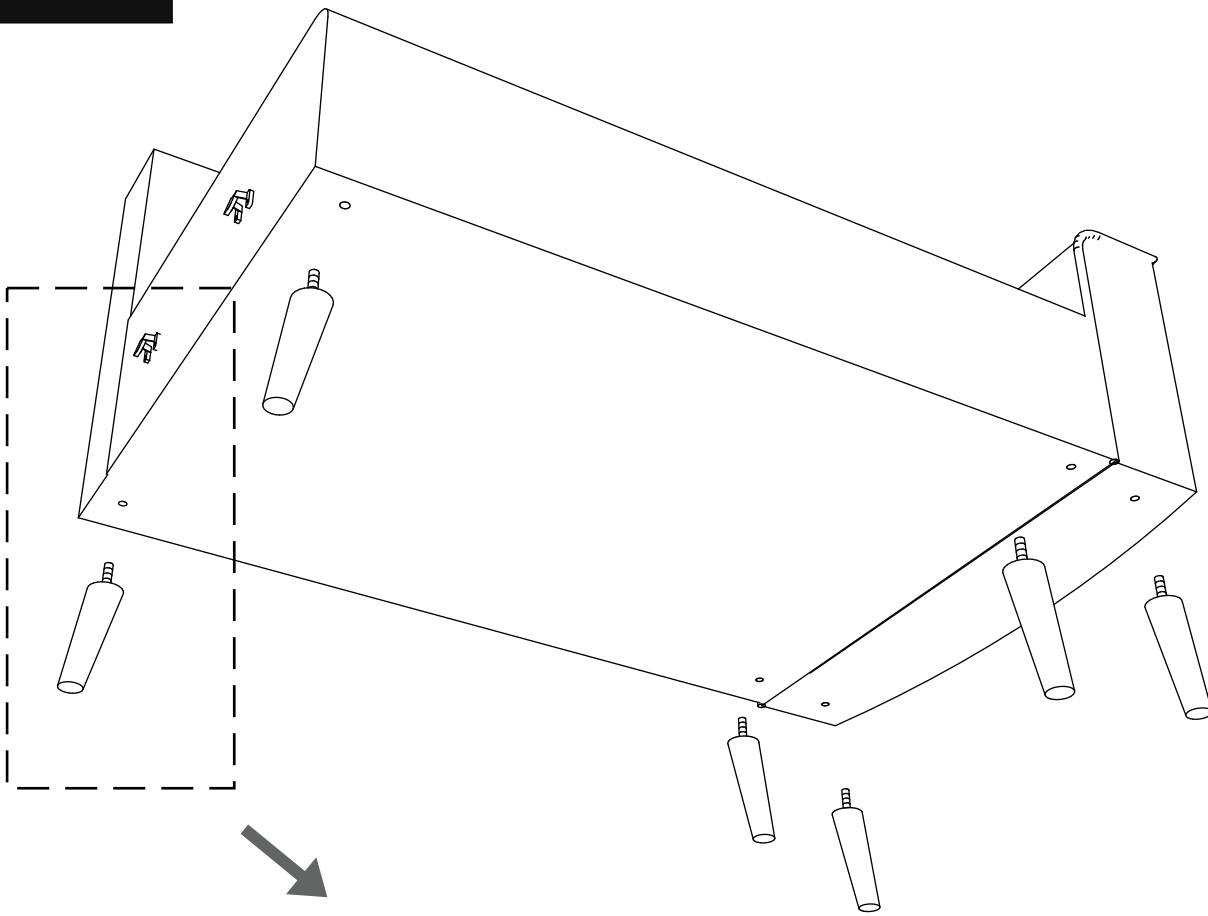
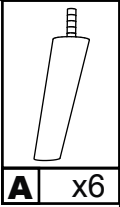
**2**



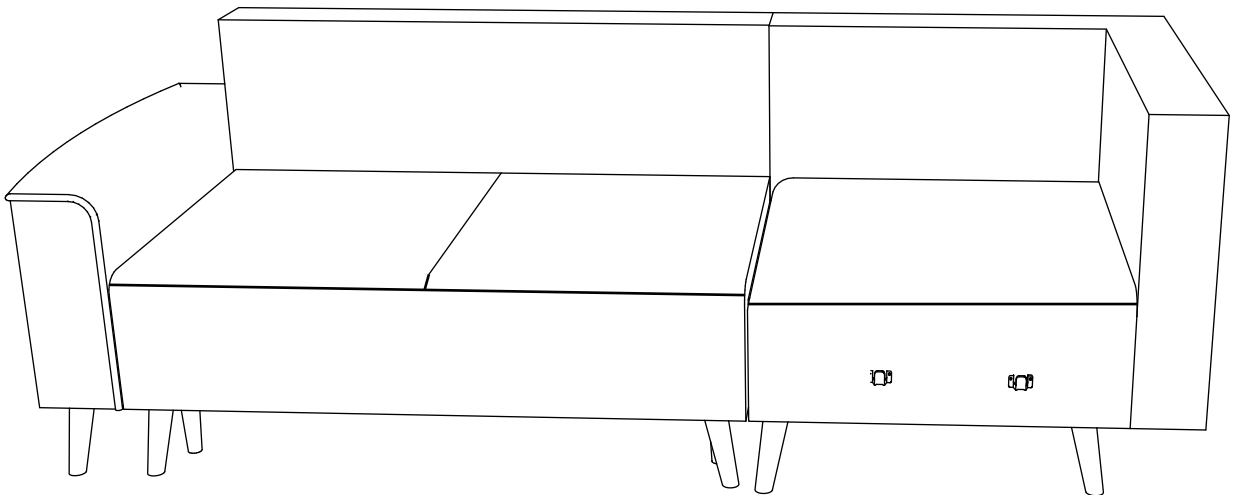
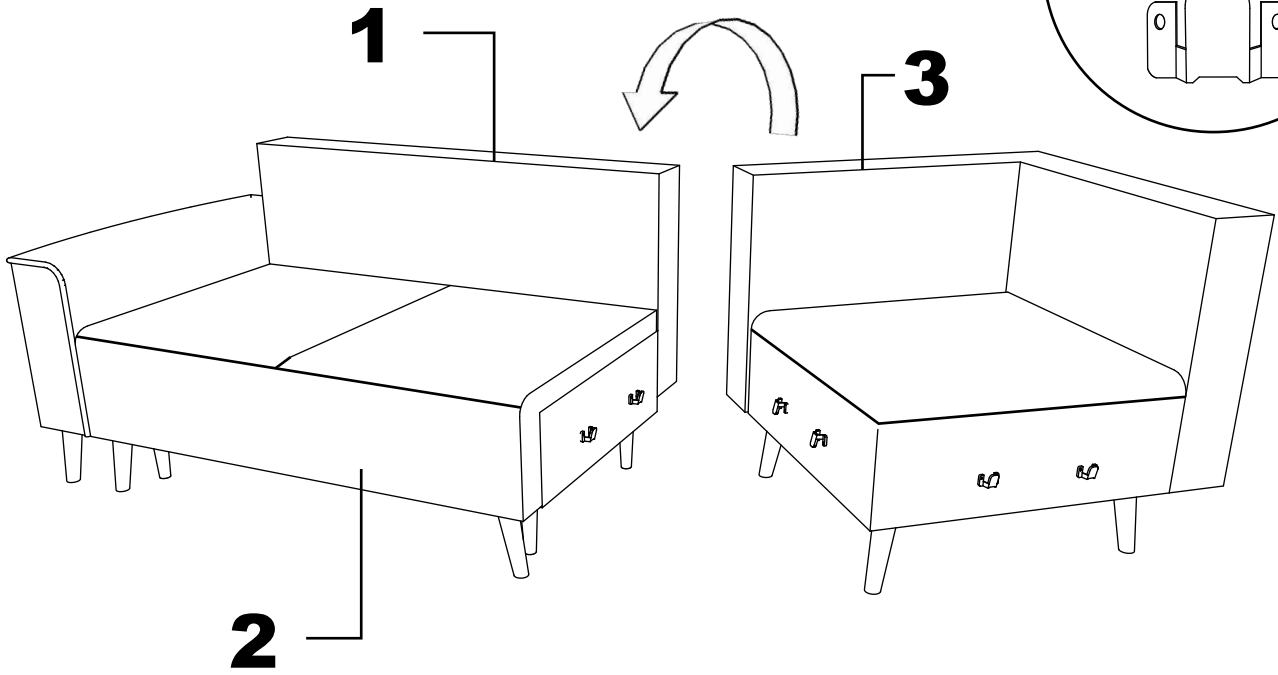
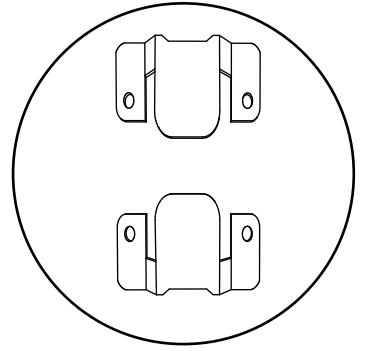
**3**



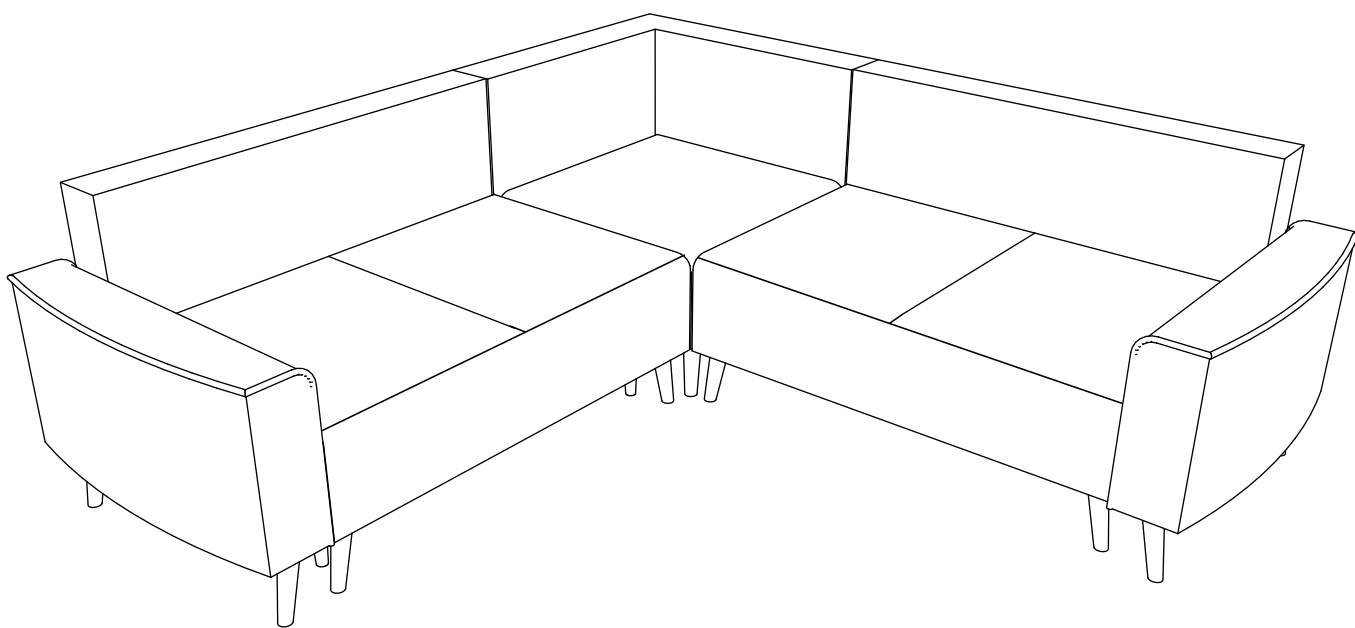
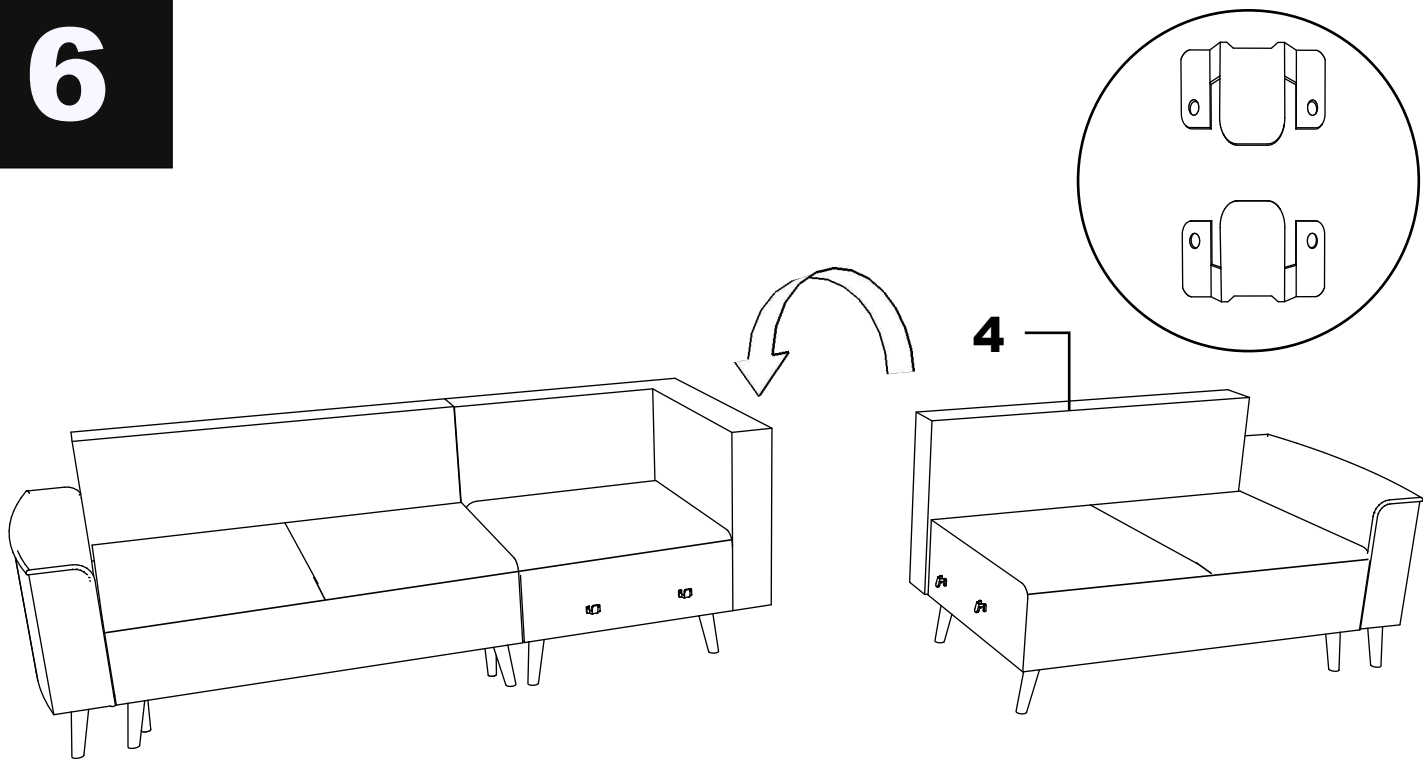
4



**5**



6



7

