



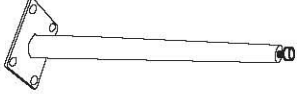


# ASSEMBLY INSTRUCTION

<b>A</b>		M6x20mm	X16pcs
<b>B</b>		5mm	X1pc
<b>C</b>			X1pc

<b>D</b>			X2pcs
<b>E</b>			X2pcs

