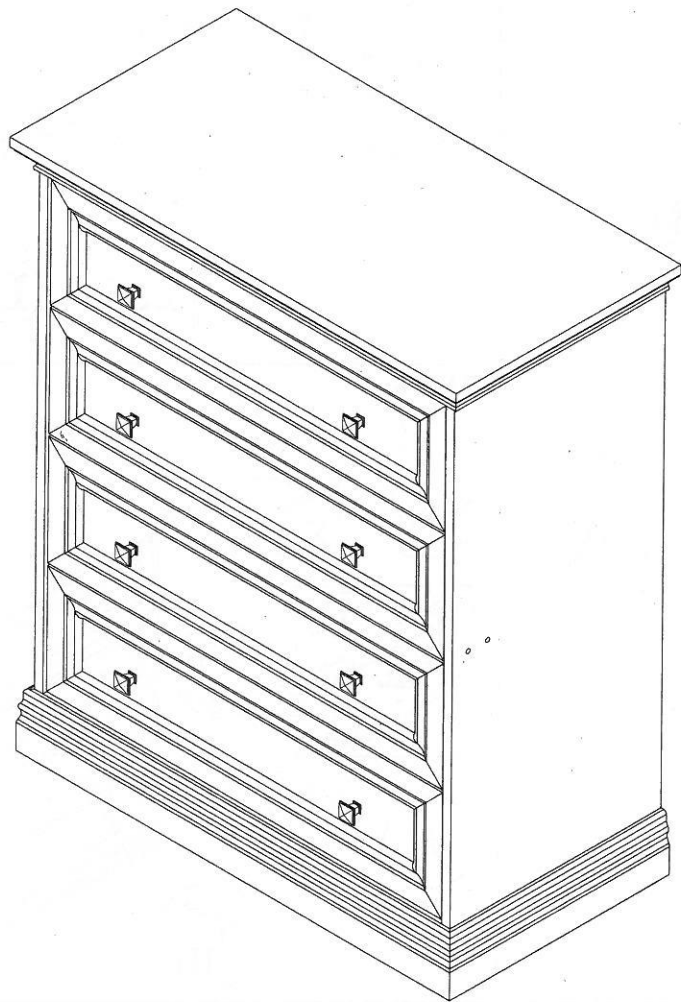


CAUTION:

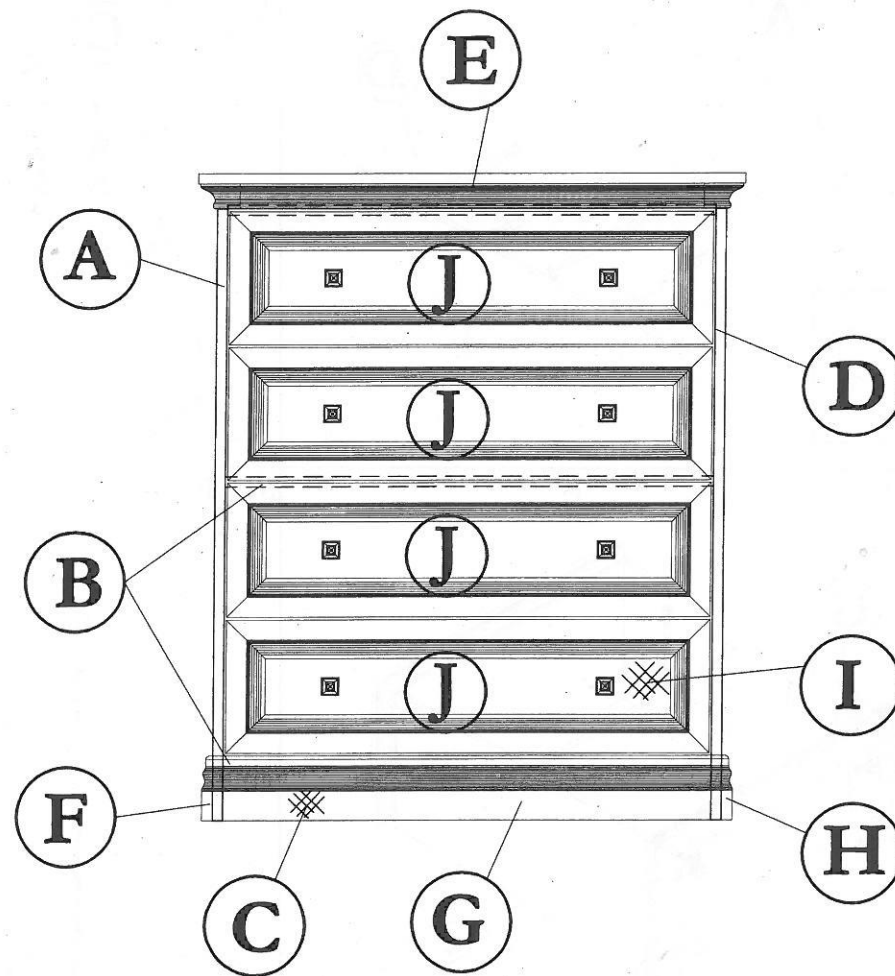
To clean use soft, dry cloth. Do not use detergent or chemicals
Avoid contact with water and direct sunlight.
To be assembled on a soft, dry, clean and smooth surface.



COMPLETE SET

ORDERING REPAIR PARTS

In order to obtain smooth and rapid service when ordering repair parts, please give full attention to the following of PART NUMBER.



NO	DESCRIPTION	QTY
A	LEFT SIDE	01
B	HORIZONTAL SHELF	03
C	LEG	01
D	RIGHT SIDE	01
E	TOP	01

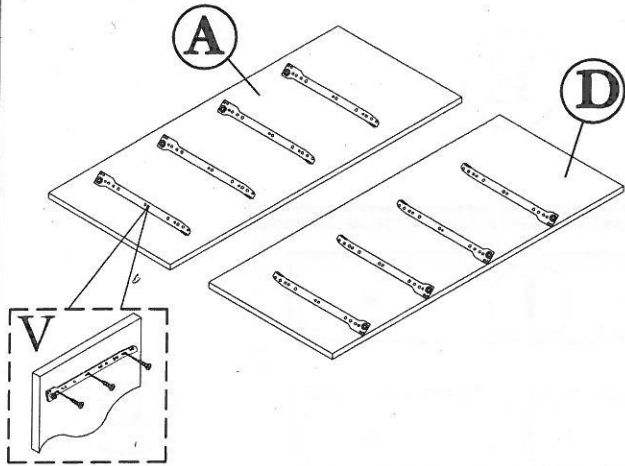
NO	DESCRIPTION	QTY
F	LEFT SIDE WRAPPING	01
G	FRONT WRAPPING	01
H	RIGHT SIDE WRAPPING	01
I	BACK	02
J	DRAWER FACE	04

ASSEMBLY INSTRUCTION

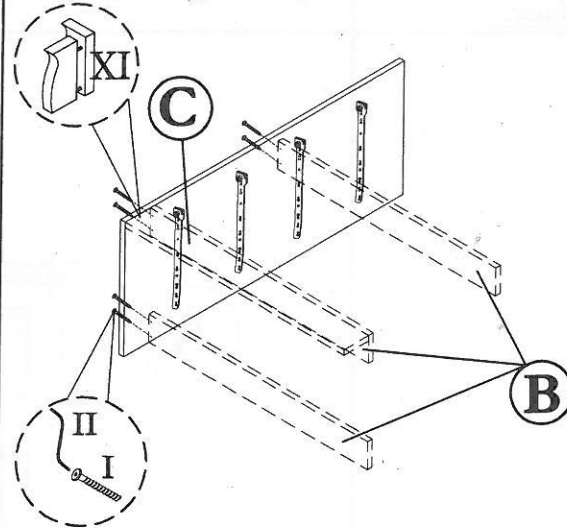
MODEL : 4114 / CHEST OF DRAWER

Before you begin, please follow assembly instruction carefully.
Then follow them step by step.

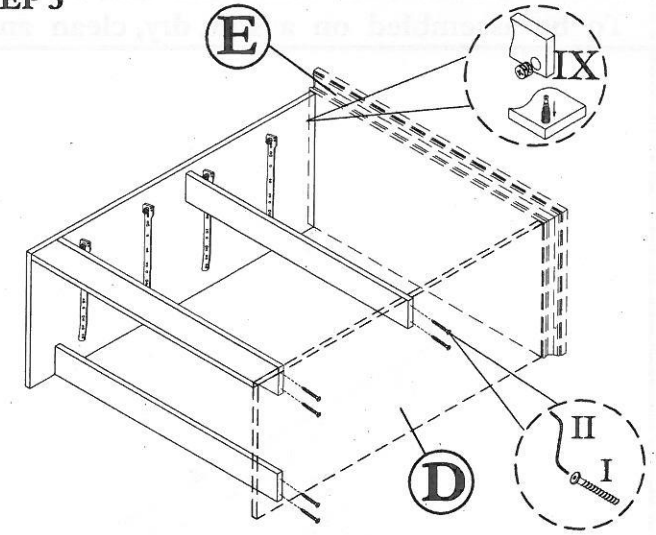
STEP 1



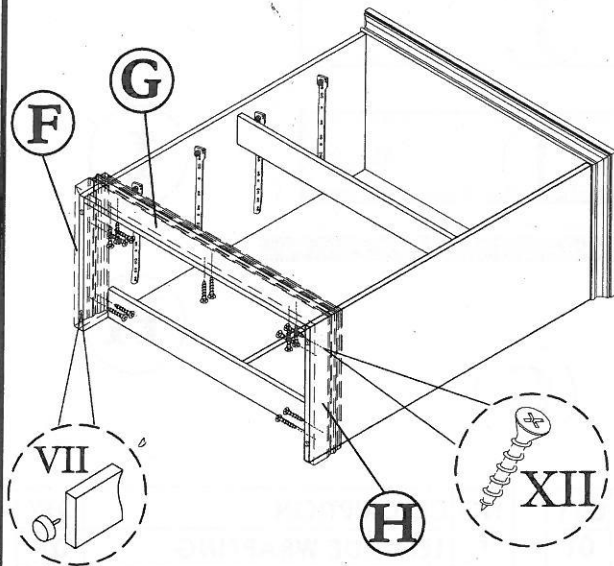
STEP 2



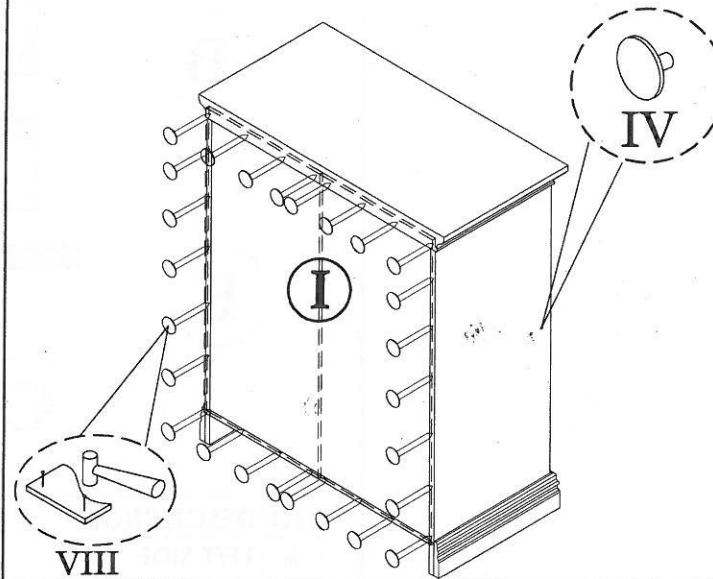
STEP 3



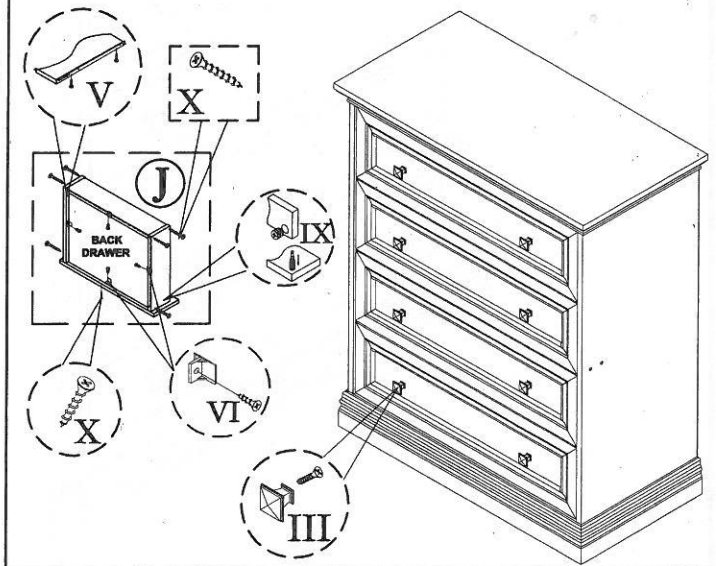
STEP 4



STEP 5



STEP 6



HARDWARE LIST

NO	DESCRIPTION	QTY
I	JCBCW SCREW M6 x 45	12pcs
II	M4 ALLEN KEY	1pc
III	HANDLE & SCREW M4 x 12	8sets

IV	CAP SMALL	4pcs
V	12" DRAWER SLIDER & SCREW M3.5 x 12	4sets
VI	DRAWER SUPPORT & SCREW M3.5 x 12	16sets
VII	PVC NAIL WITH PIN	4pcs
VIII	NAIL	40pcs

IX	Q-FIT	20sets
X	M8 X 32 CHIPBOARD SCREW	24pcs
XI	PLASTIC DOWEL	4pcs
XII	M4 x 25 CHIPBOARD SCREW	18pcs