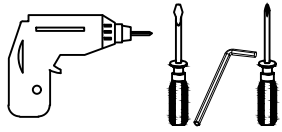


STL-DK02 Assembly Drawing

Pakketo code:069-000036

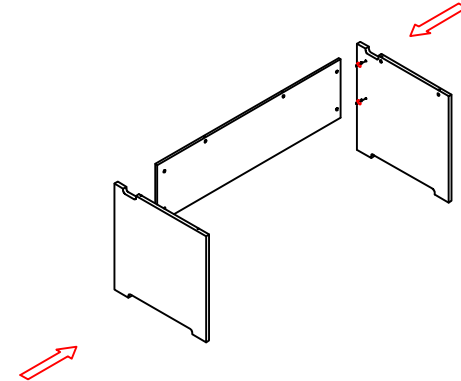
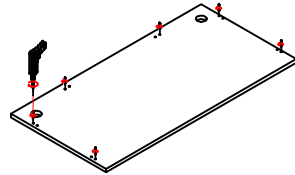
Size:W1800*D750*H750

Tools



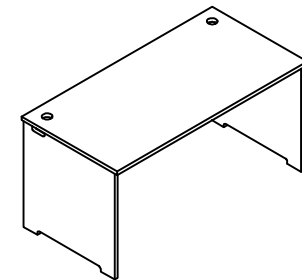
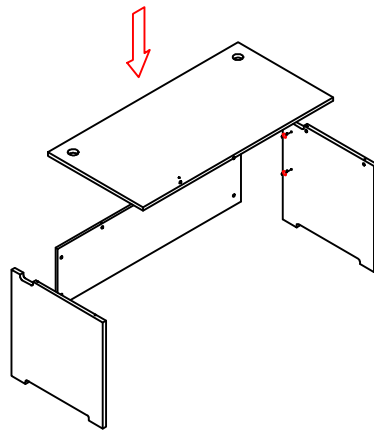
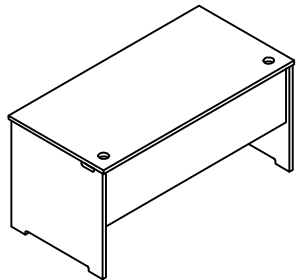
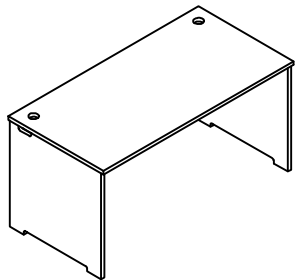
Connecting Parts

A		10	G		
B		10	H		
C		6	J		
D			K		
E			L		
F			M		



1
3

2
4



Finish