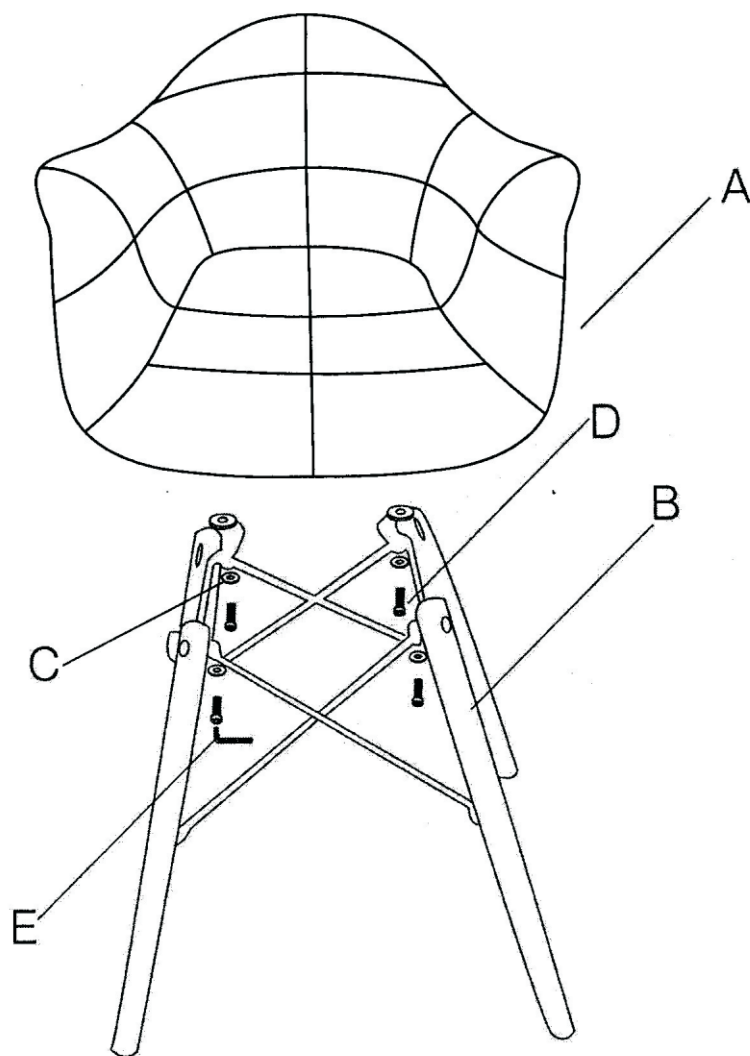
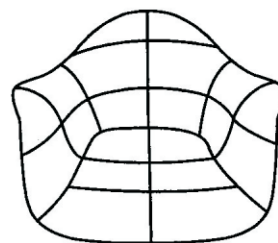


Assembly Instruction

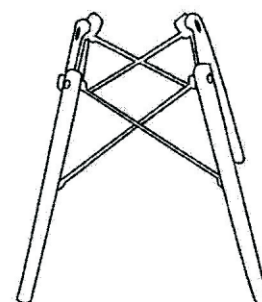


A



1PC

B



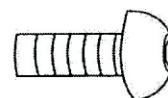
1PC

C



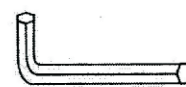
4PCS

D



4PCS

E



1PC