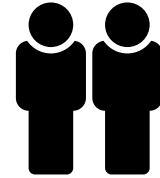
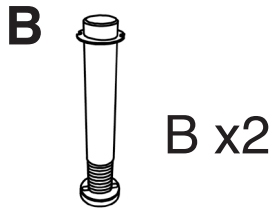
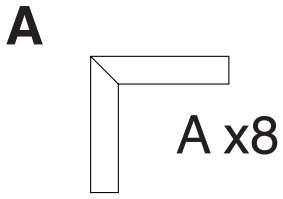
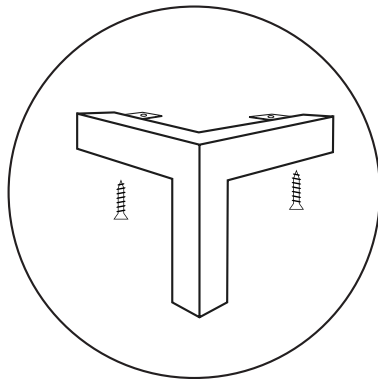
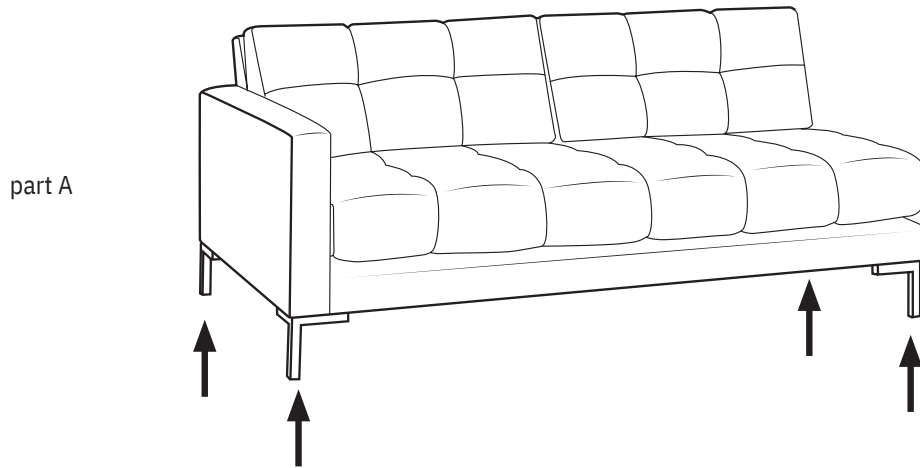


Bali

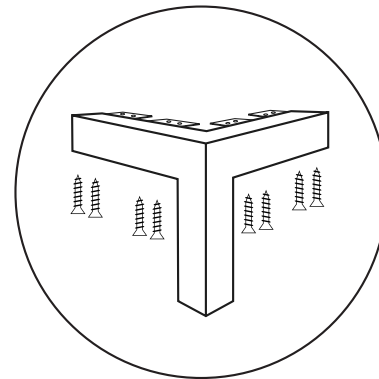
corner sofa



* the installation method for a right and left-sided sofa is analogous.

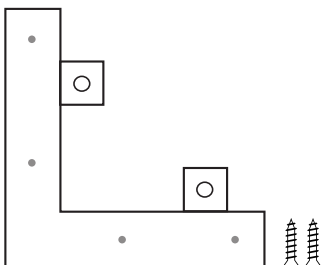


option 1

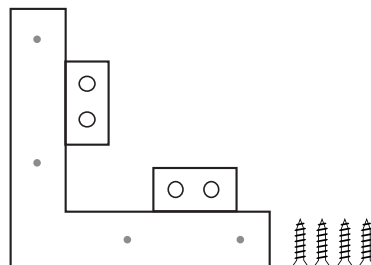


option 2

option 1



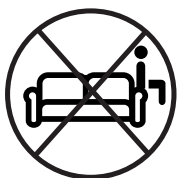
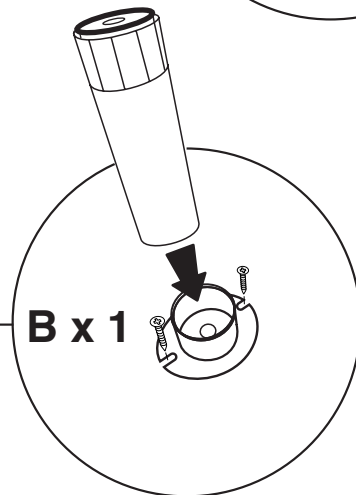
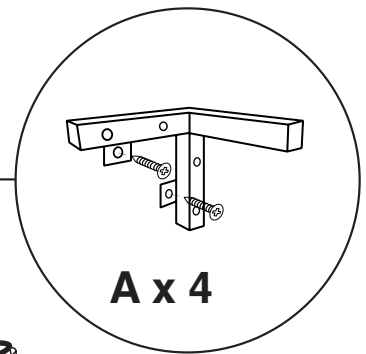
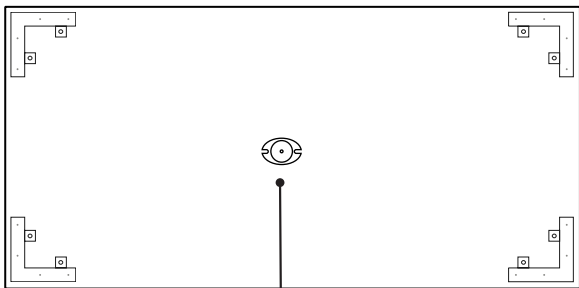
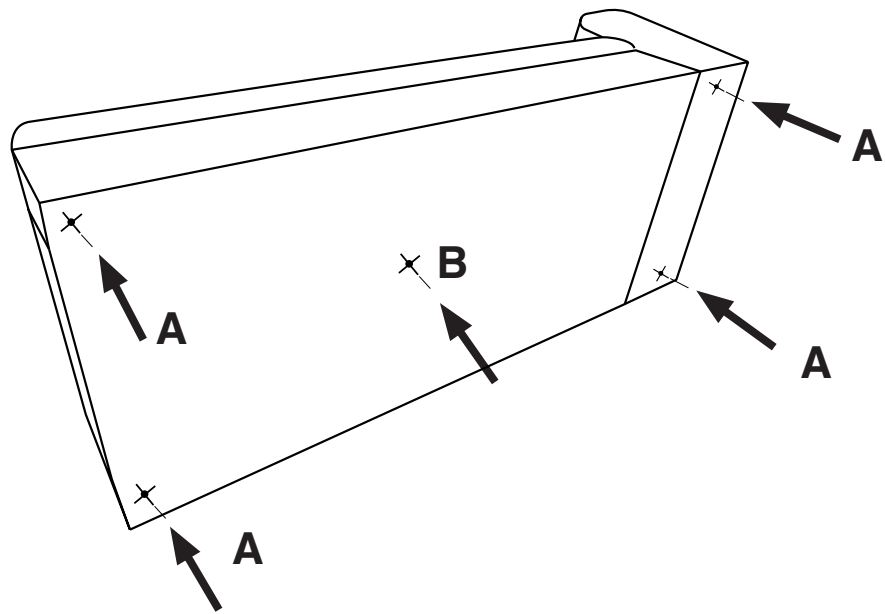
option 2



ATTENTION!

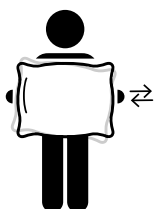
Legs should be mounted depending on the batch. Check the legs in your kit and mount them as instructed.

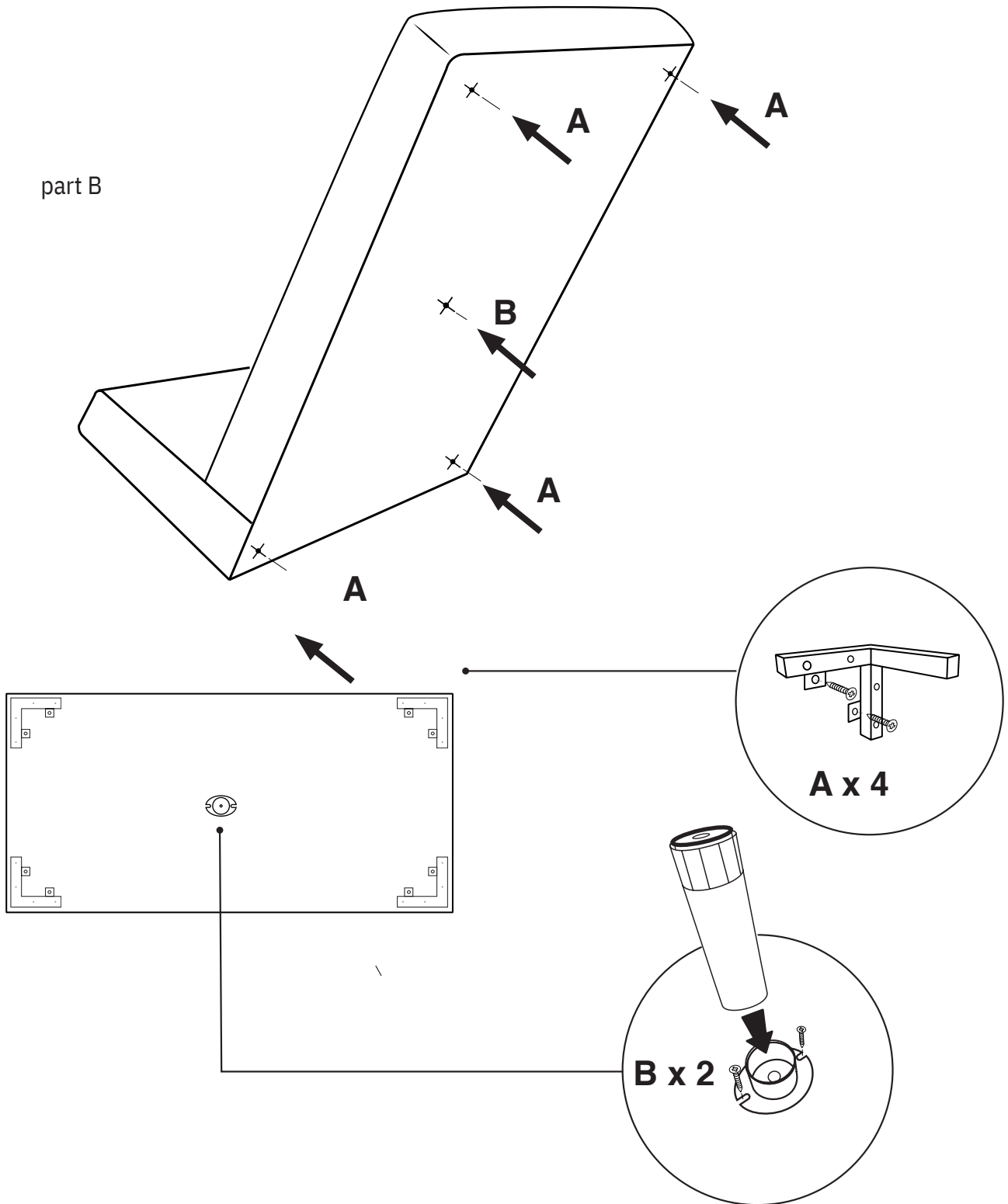
part A



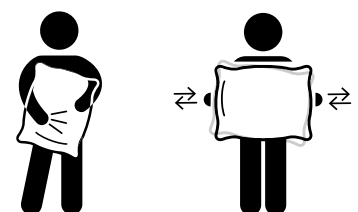
2 of 4

SHAPE UP ALL PILLOWS AND CUSHIONS!





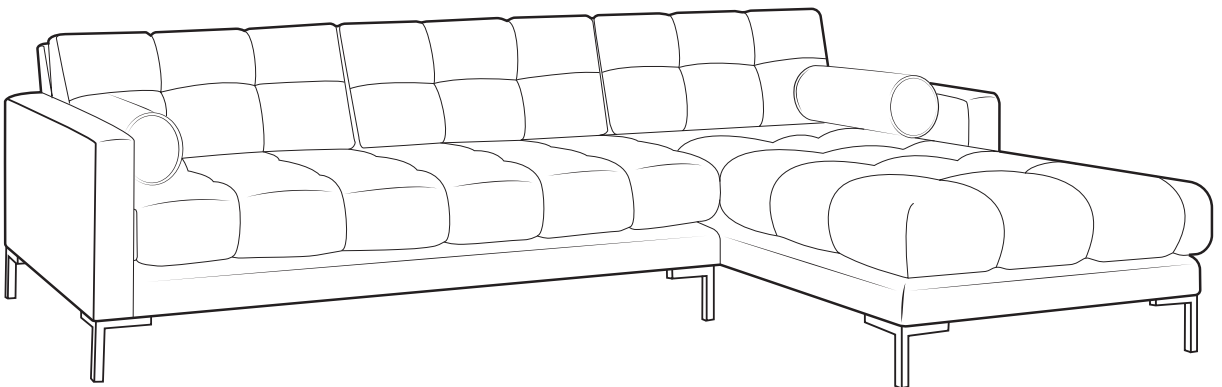
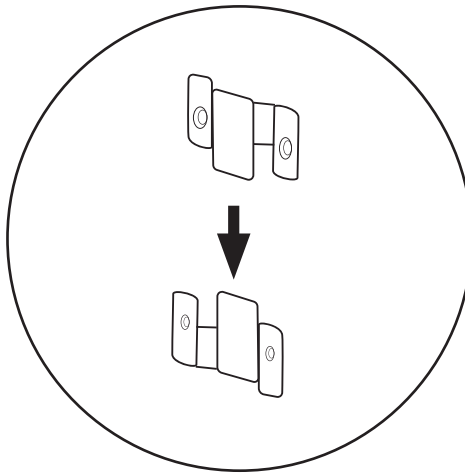
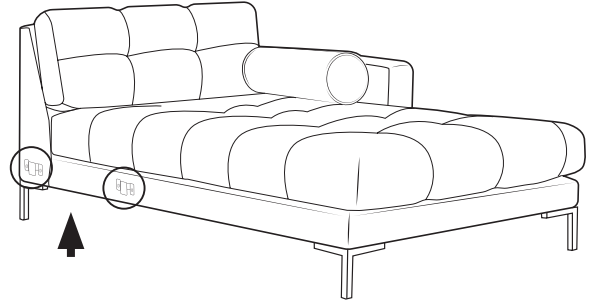
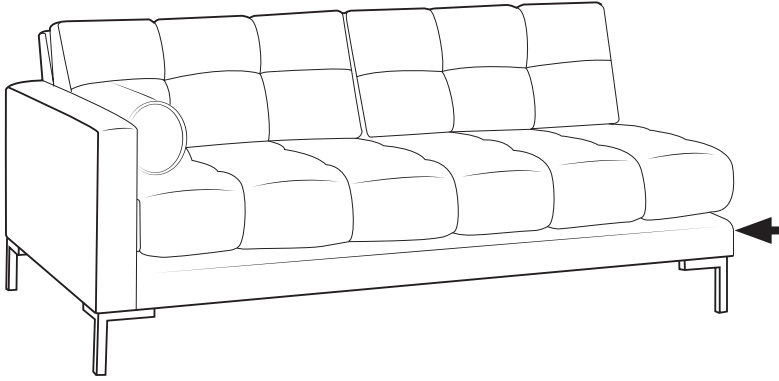
SHAPE UP ALL PILLOWS AND CUSHIONS!



3

Bali
corner sofa

part A + B



SHAPE UP ALL PILLOWS AND CUSHIONS!

