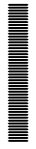


# Canna

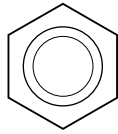
sofa



x4



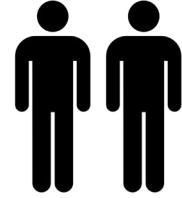
x6



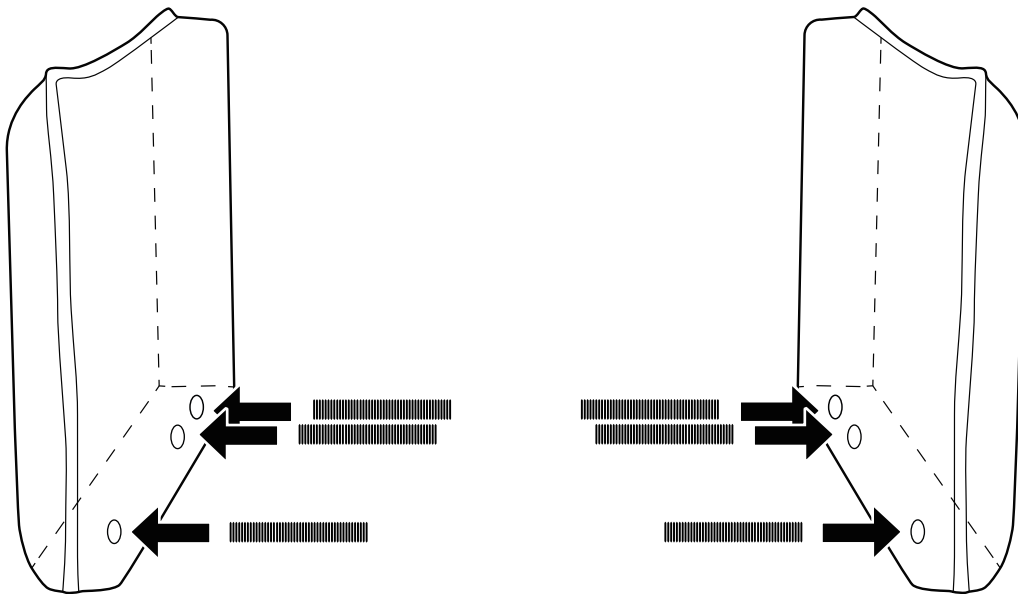
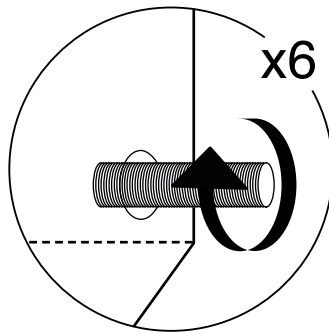
x6



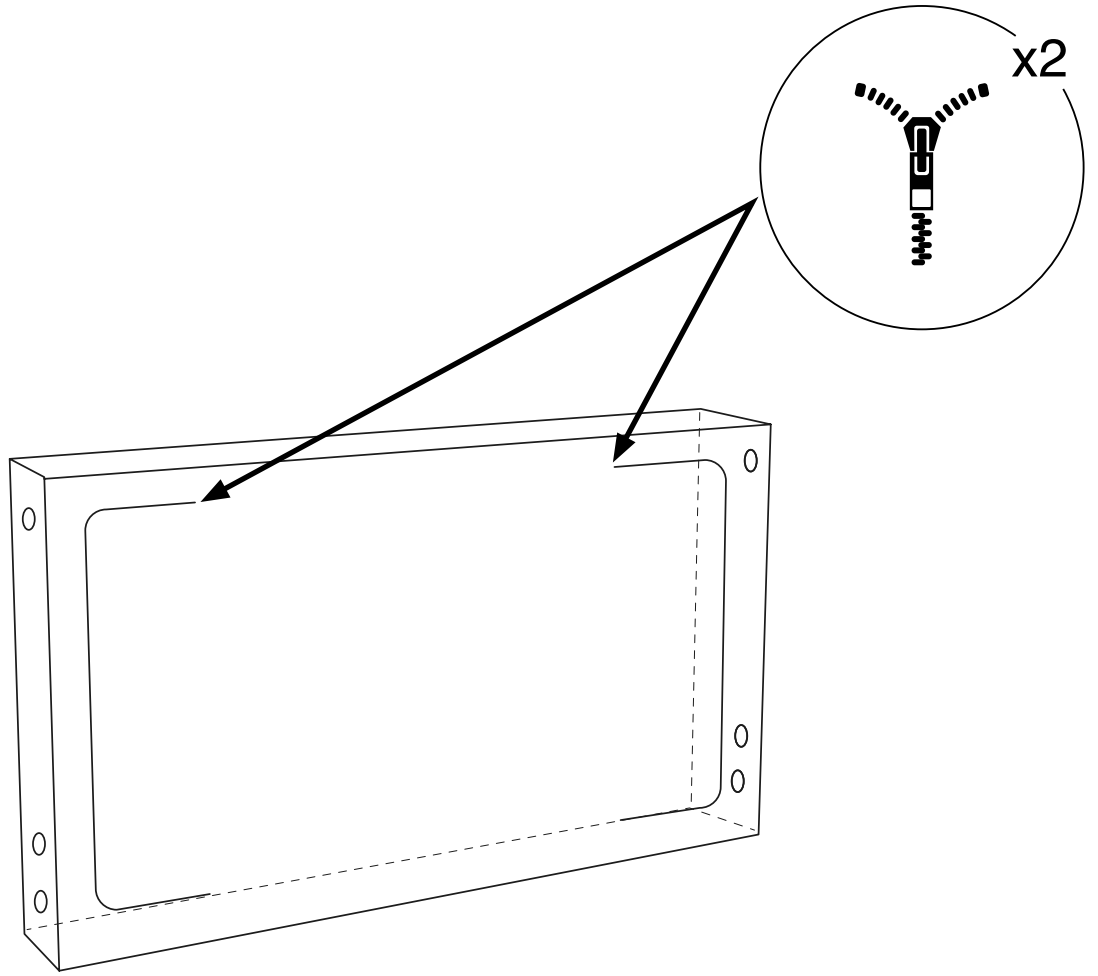
x4



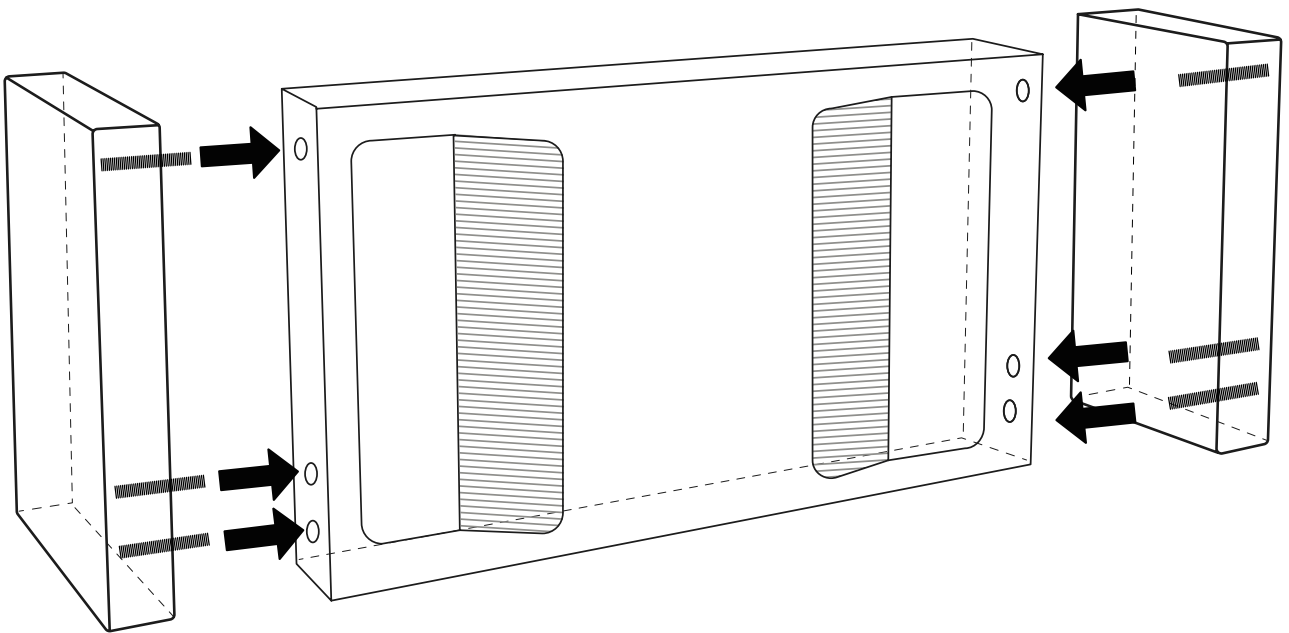
# 1



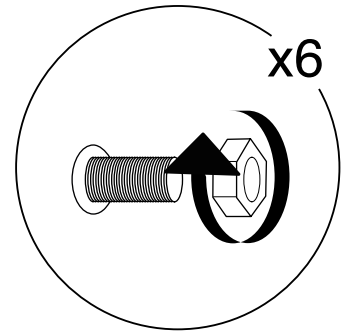
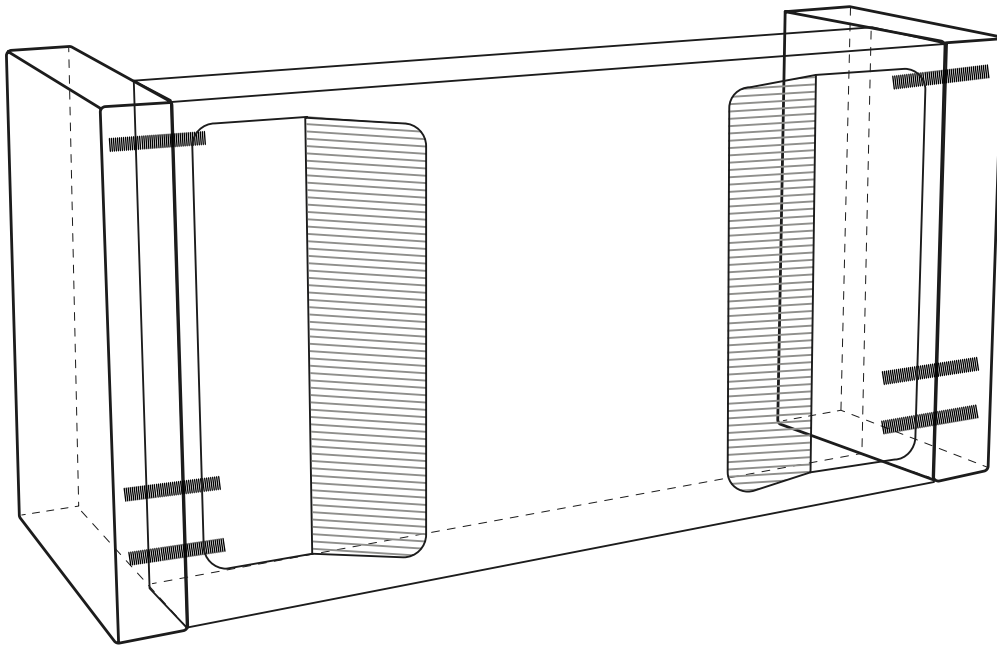
2



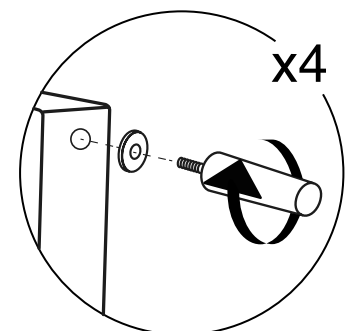
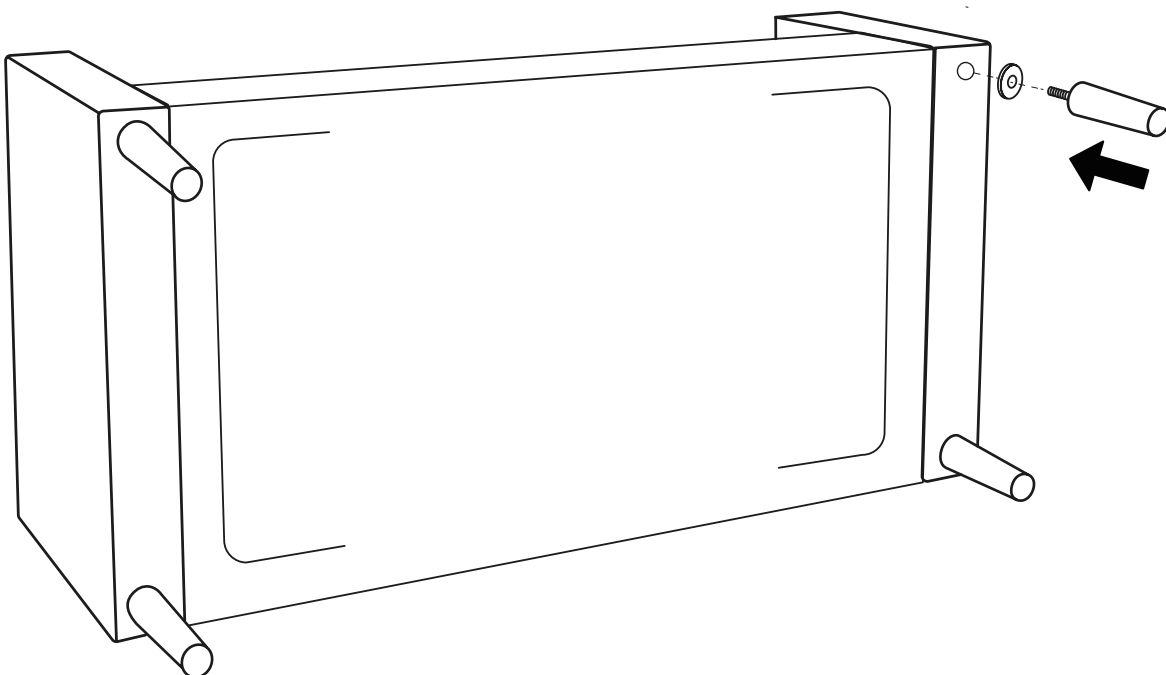
3



4

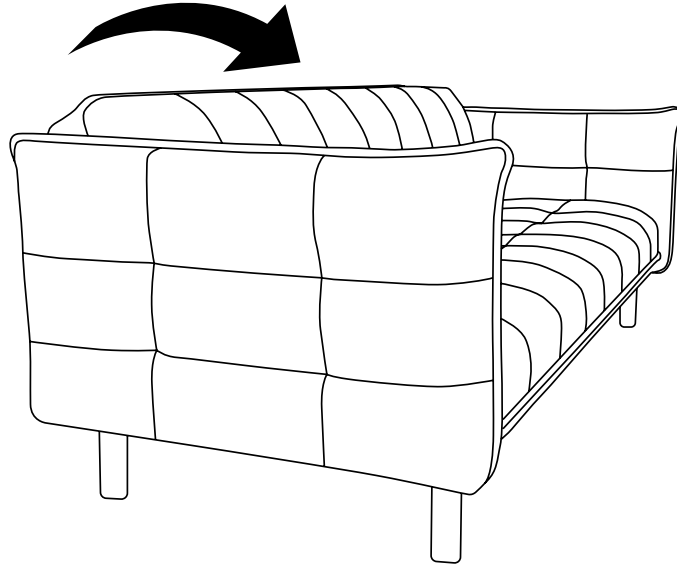


5

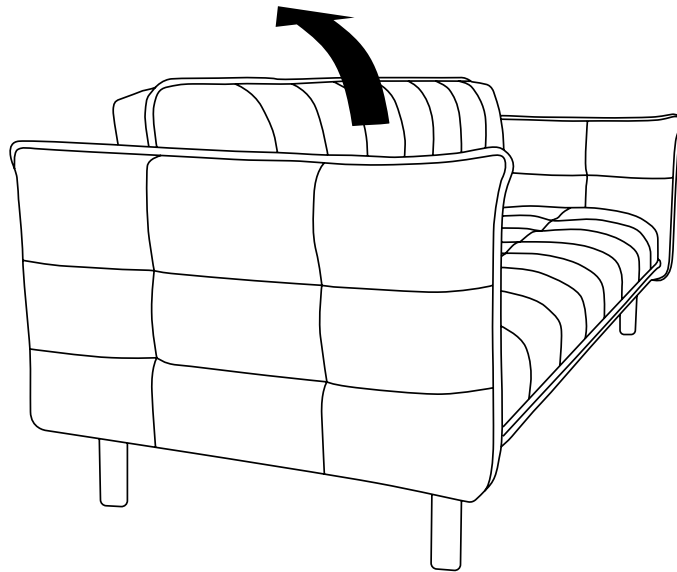


# bed function

1



2



3

