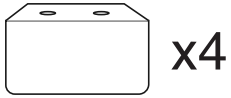


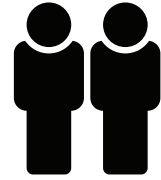
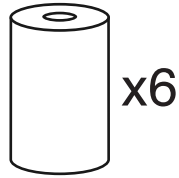
Nevada

corner sofa

A

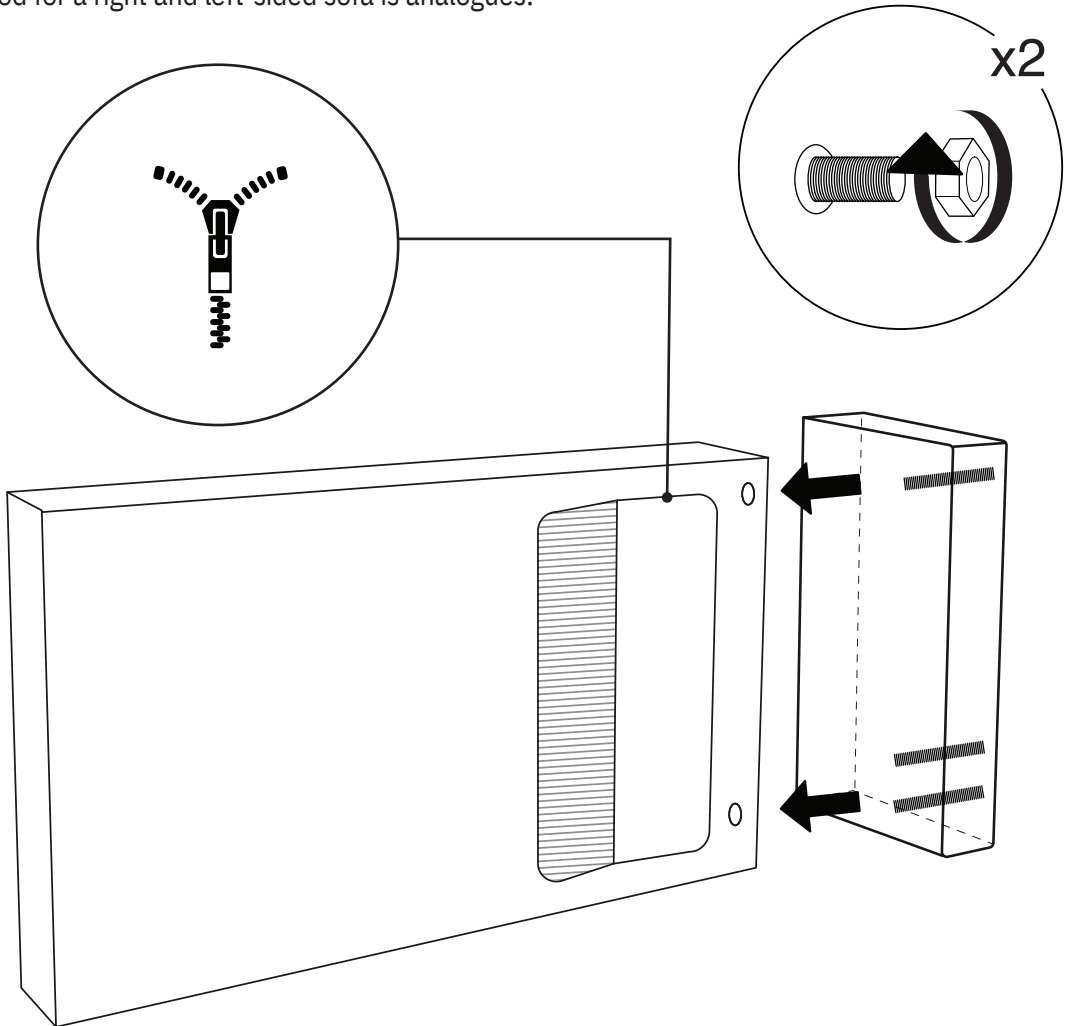


B



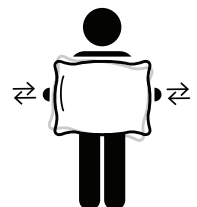
* the installation method for a right and left-sided sofa is analogues.

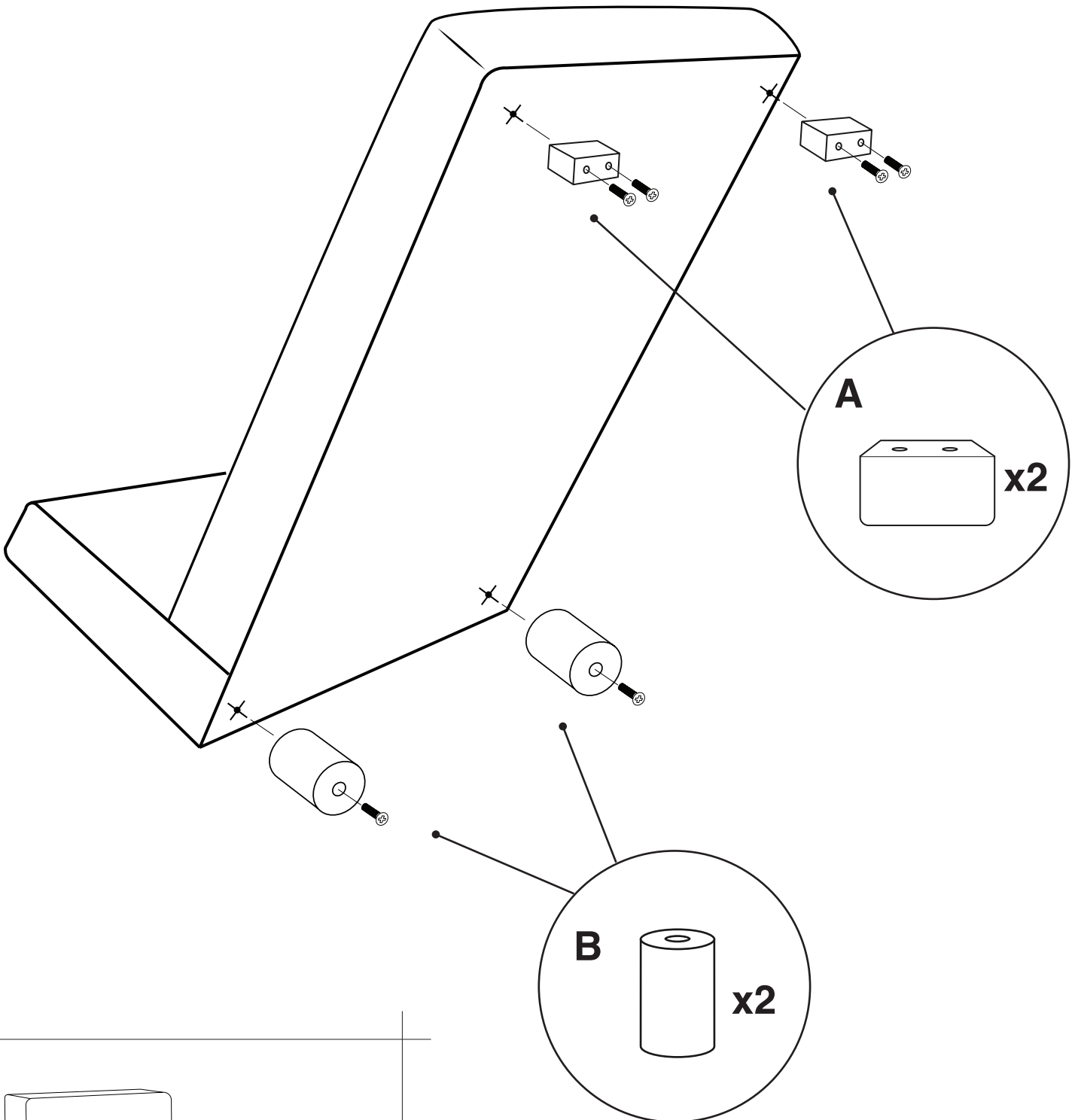
1

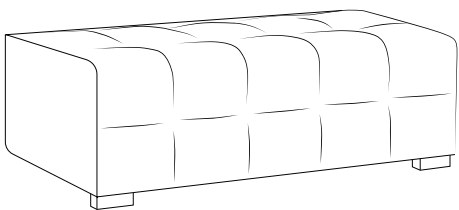
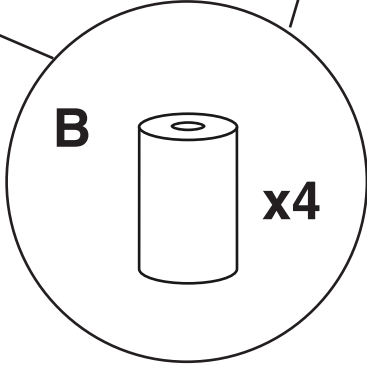
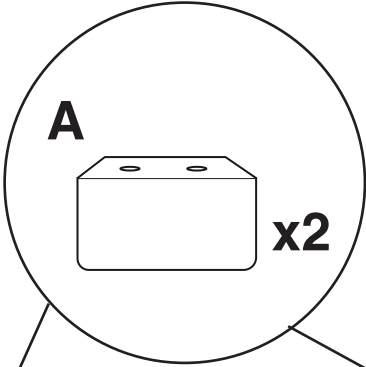
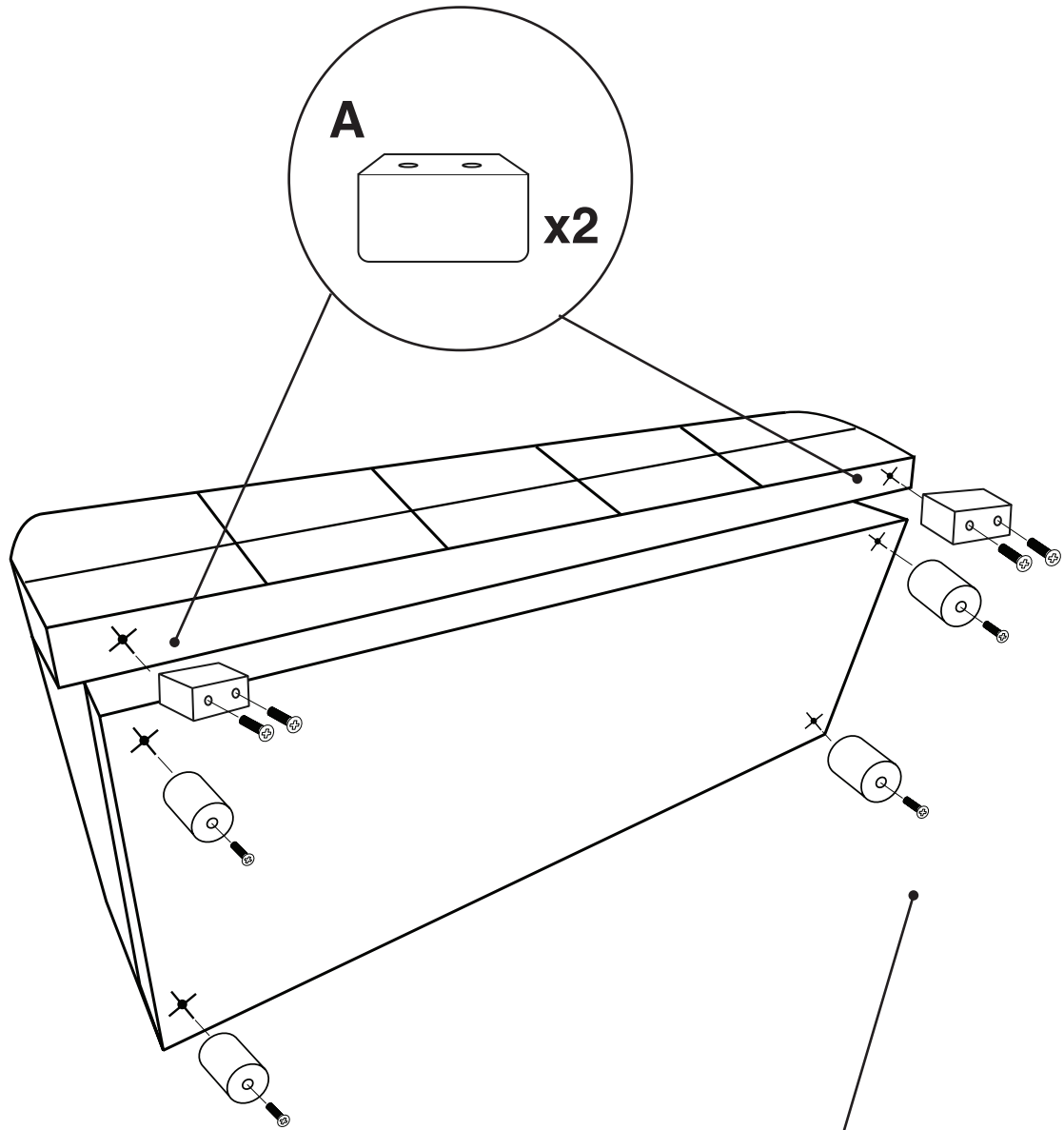


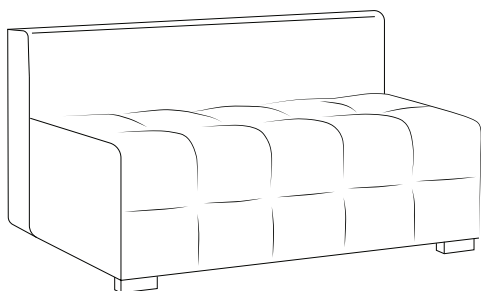
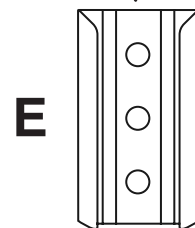
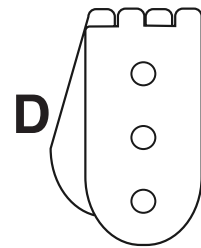
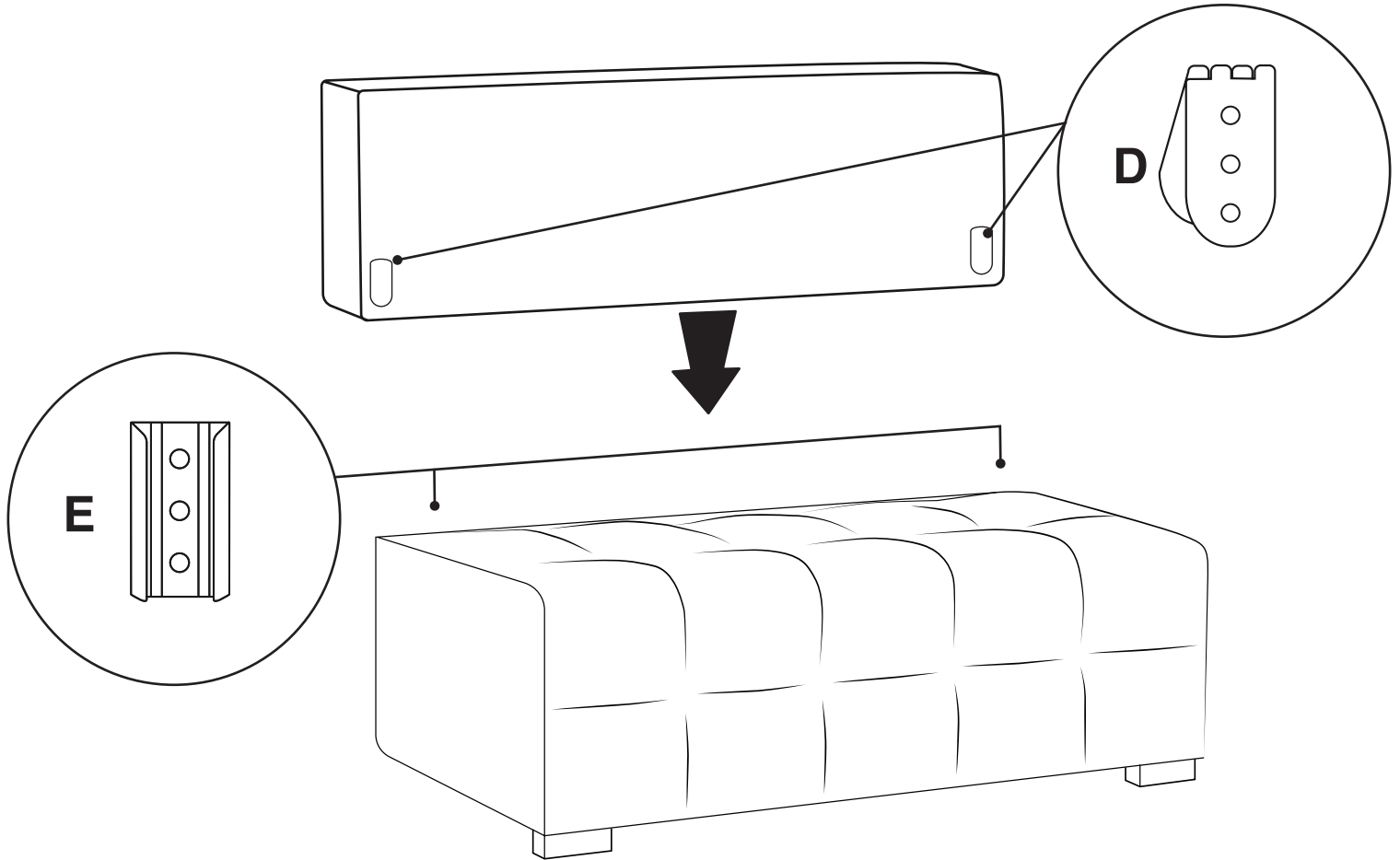
1 of 7

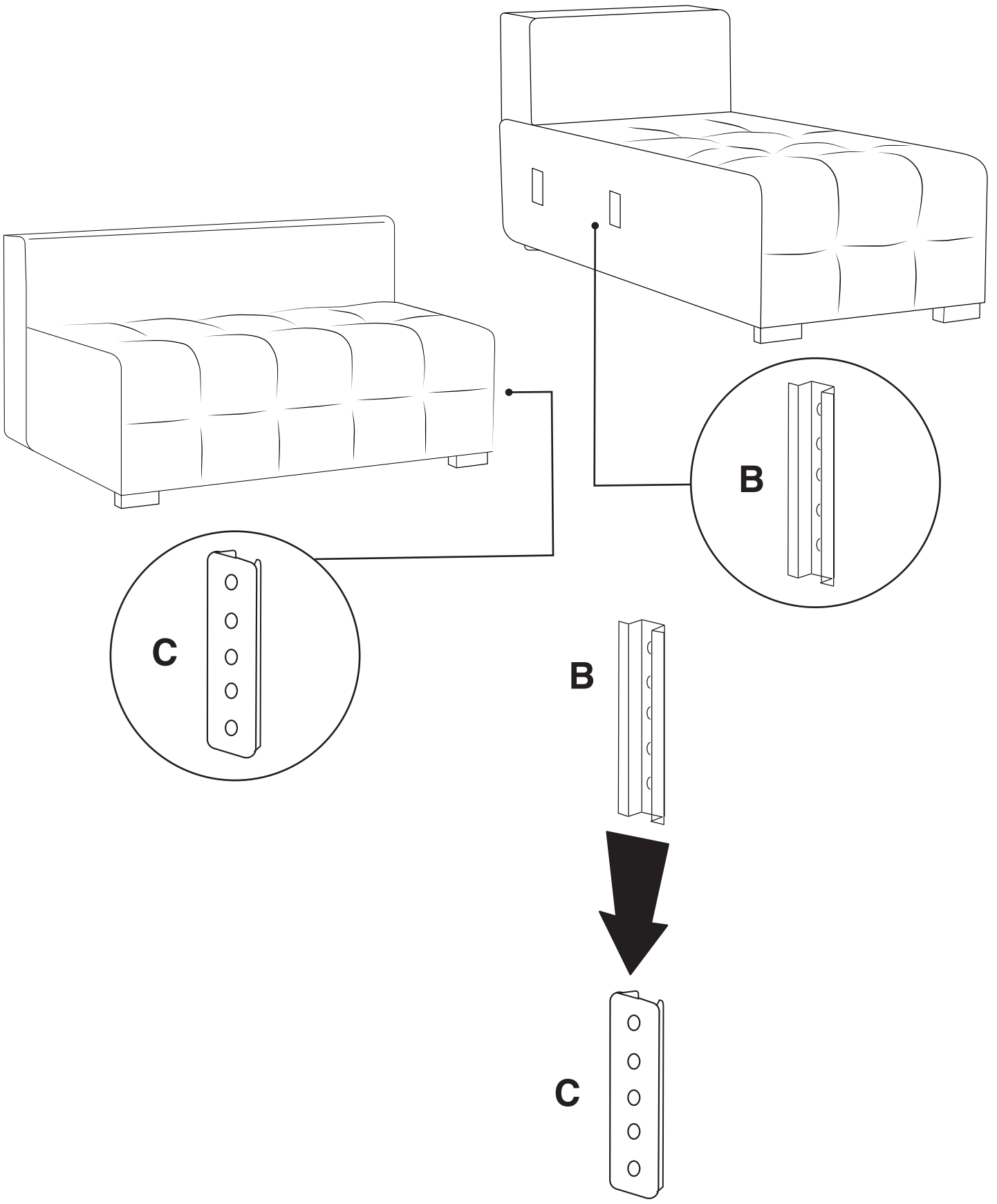
SHAPE UP ALL PILLOWS AND CUSHIONS!





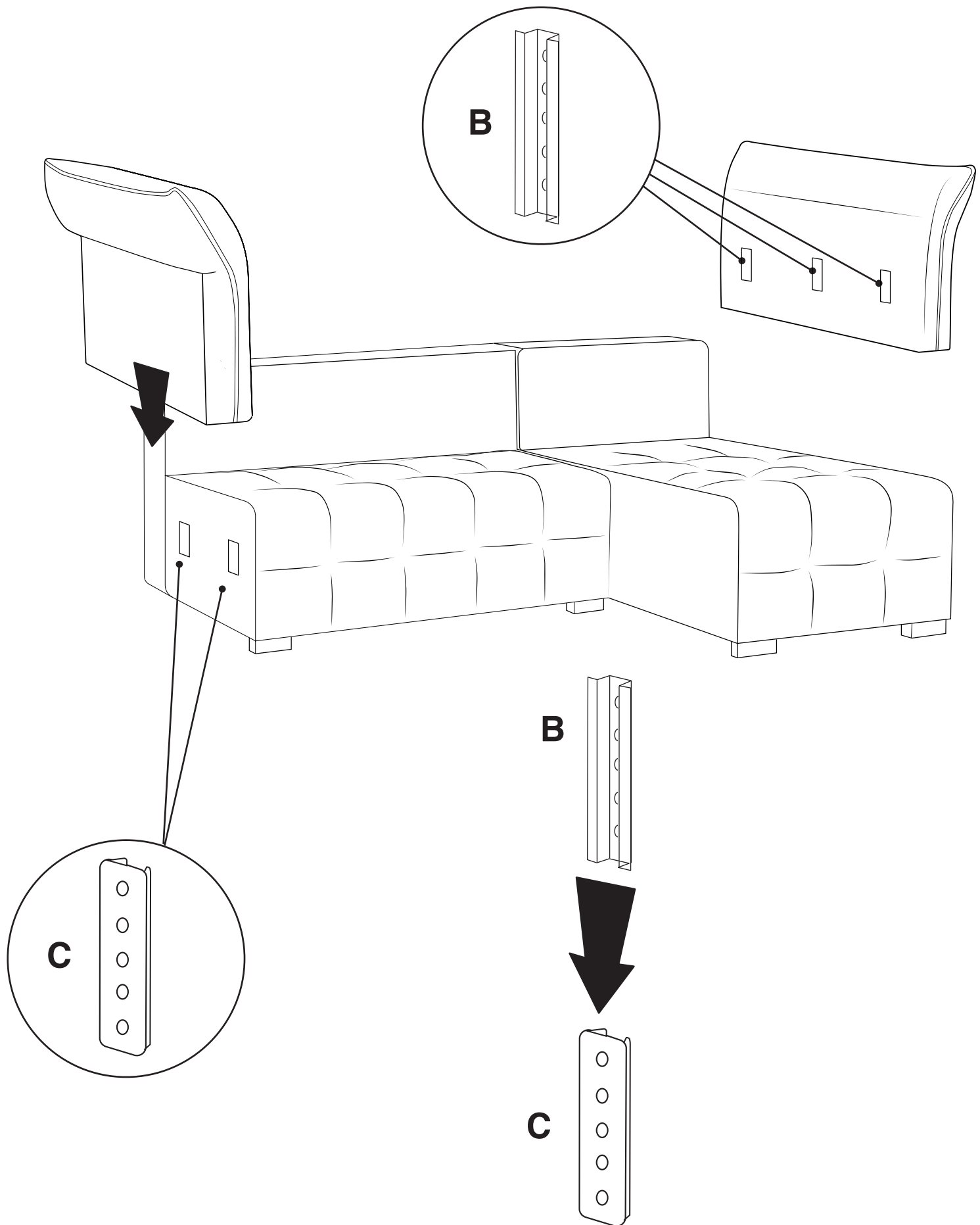


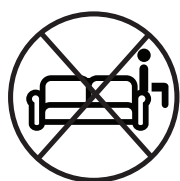
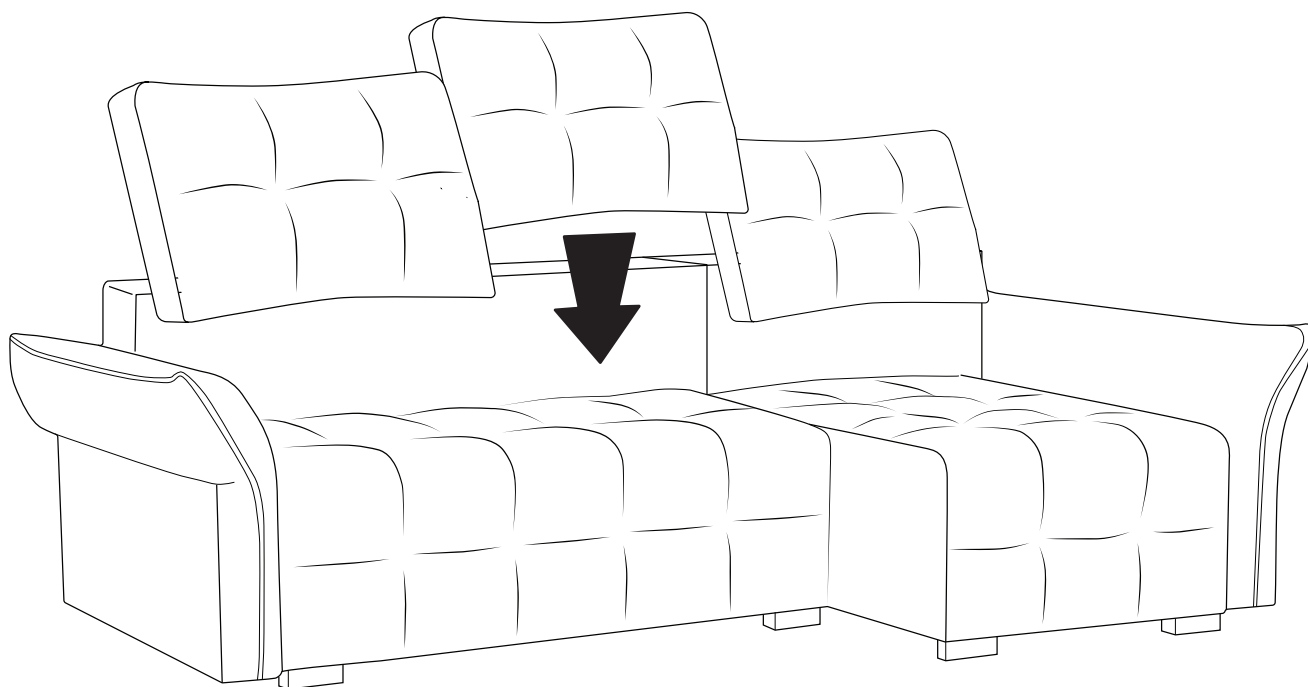
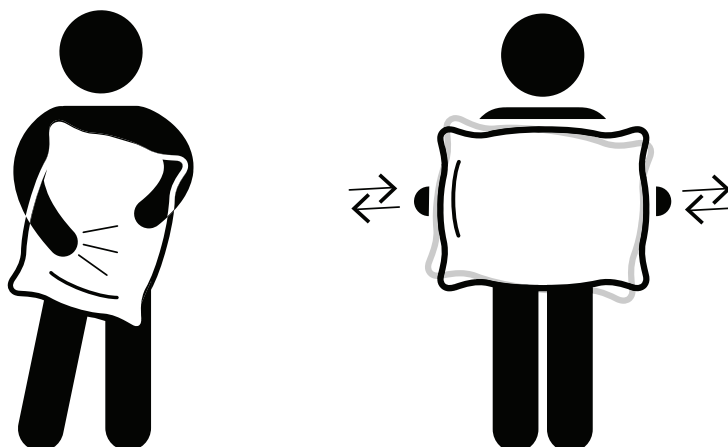




6

Nevada
corner sofa





SHAPE UP ALL PILLOWS AND CUSHIONS!

