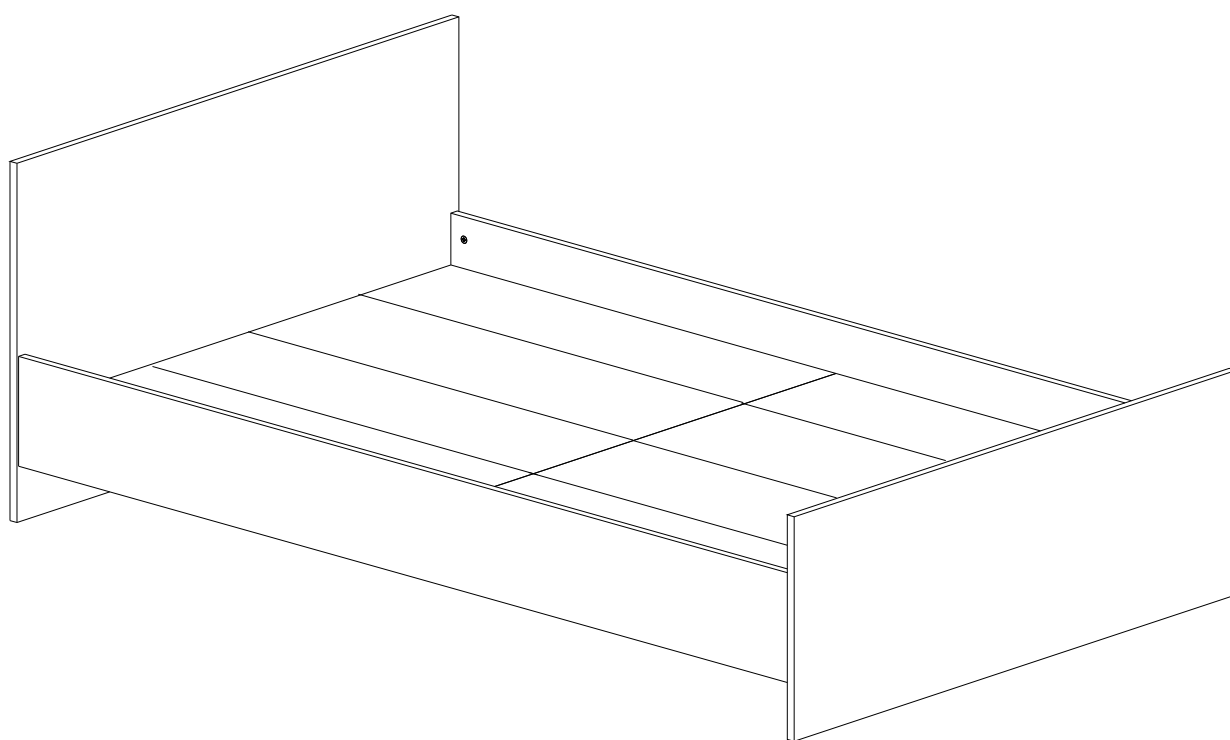
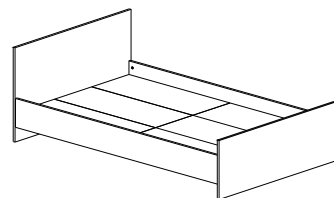


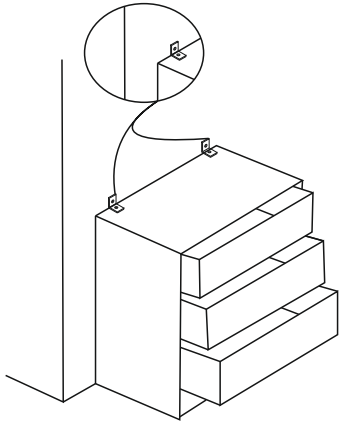
KALE 200X160



Dear Customer,

We design and produce our products for people to love and have fun with them as we do.

The product you bought was subjected to all sorts of tests and control before sending out to you.



Attention!

Using excessive force to the furniture can cause furniture to fall. This can damage you both financially and physically. In order to avoid this situation, please use wall mounting fixtures.



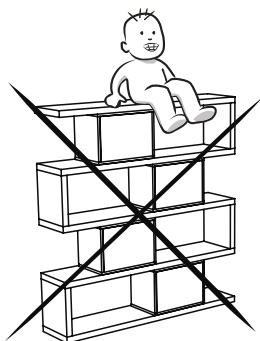
Before start assembling, please check the whole components and accessories according to the lists. If you bought more than one product, to prevent confusion be sure that you completed the first product. Then start the other product's assembling.



Before start assembling, please clean all the components with a damp cloth. Also for usual cleaning, this will be enough.



Although all the products are produced and packed carefully, sometimes happen that some component is damaged during the transportation. In such a case please check the missing or damaged part and do not hesitate to contact us. You can send e-mail to _____ or reach us at _____

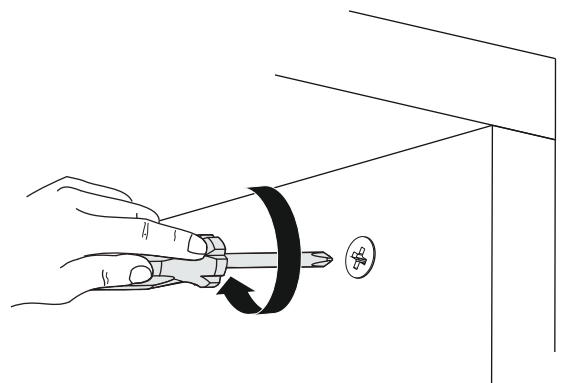
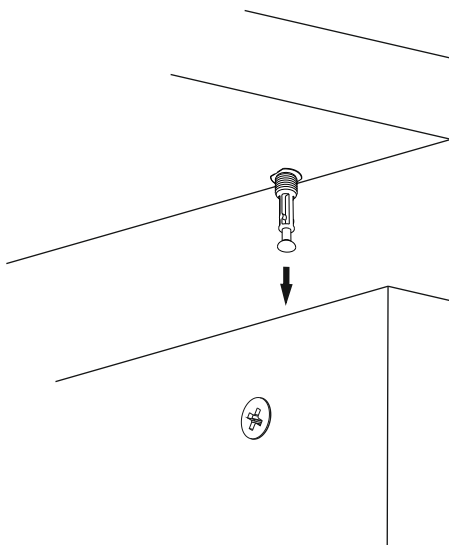
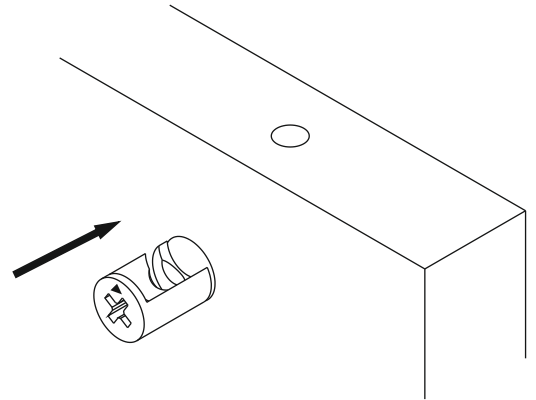
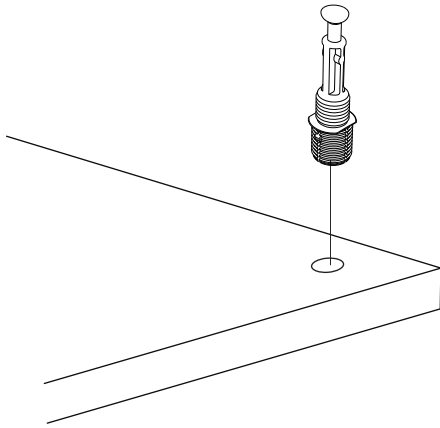
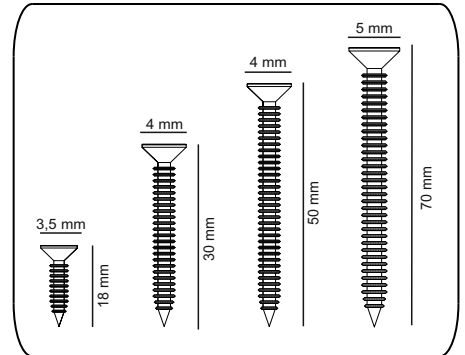
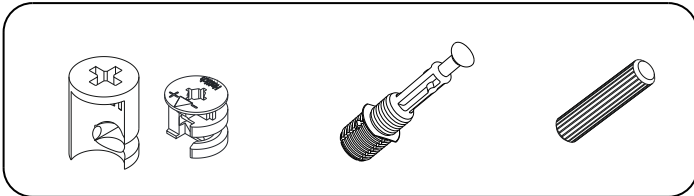


Do not use your furniture for out of purposes. If you would like to use it, please contact us for further questions.

Do not directly contact your furniture with excessive heat, cold and humidity because the product can be affected..

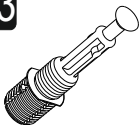


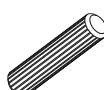
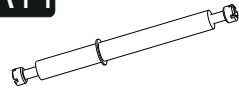

ATTENTION !!

Minifix is the main connection material used in products. Before starting assembly, please check the drawings below.



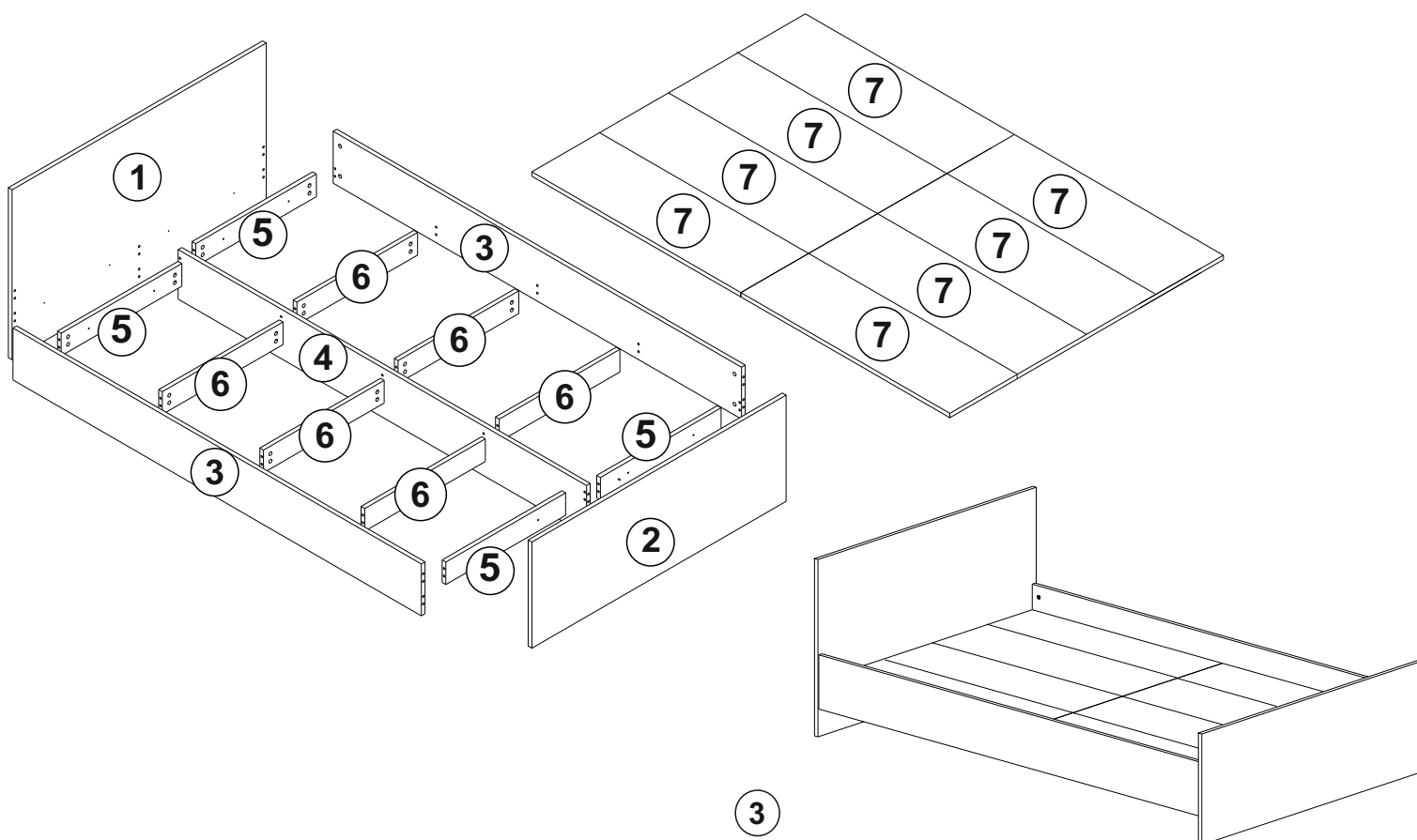
ACCESSORY LIST

KALE 160cm

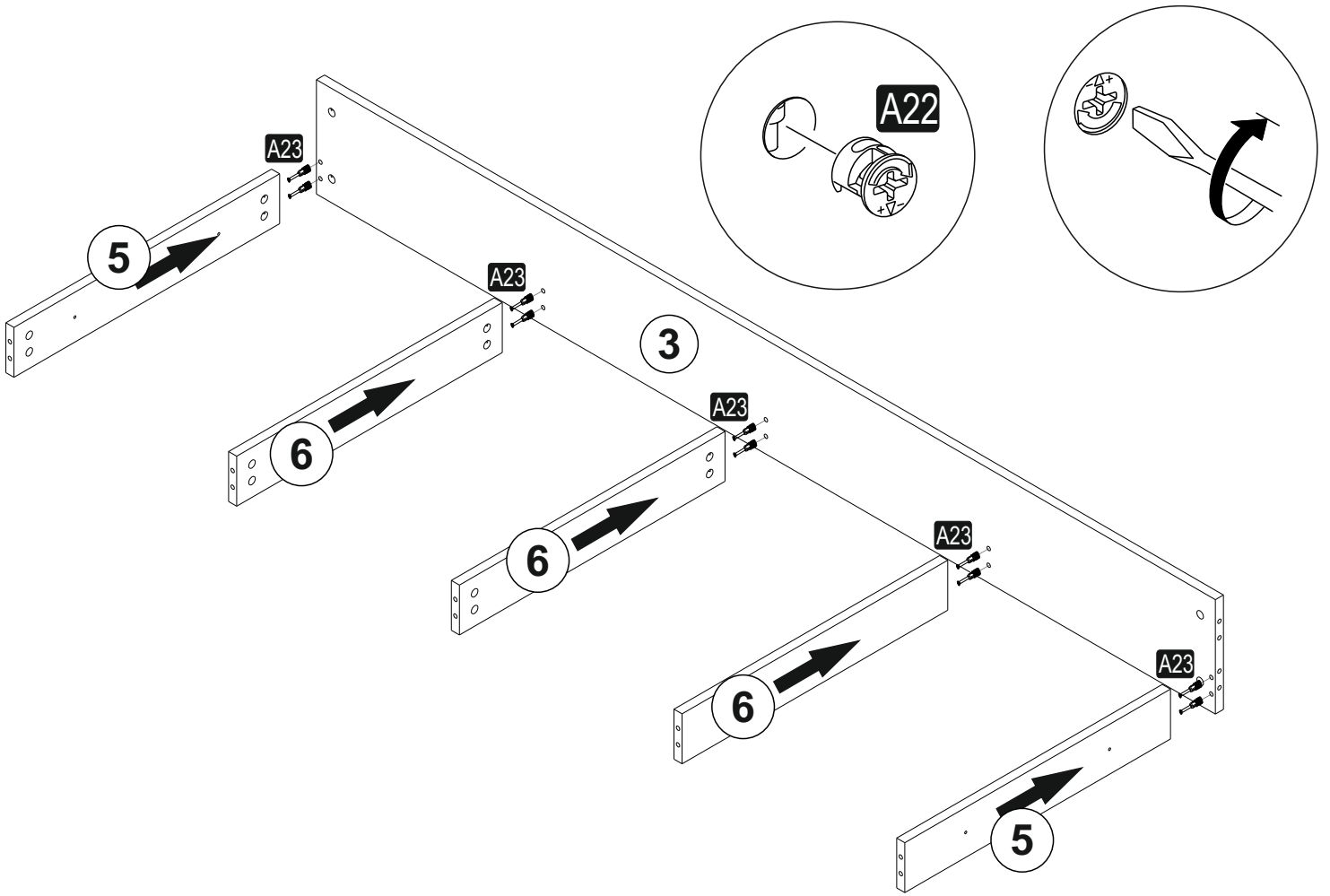
A23  Minifix M10 32x	A22  Minifix G18 52x	A06  18 mm BYZ 4x	A04  KVLV 12x	A14  UM 84 mm 10x
A41  4x30 8x				

GENERAL VIEW

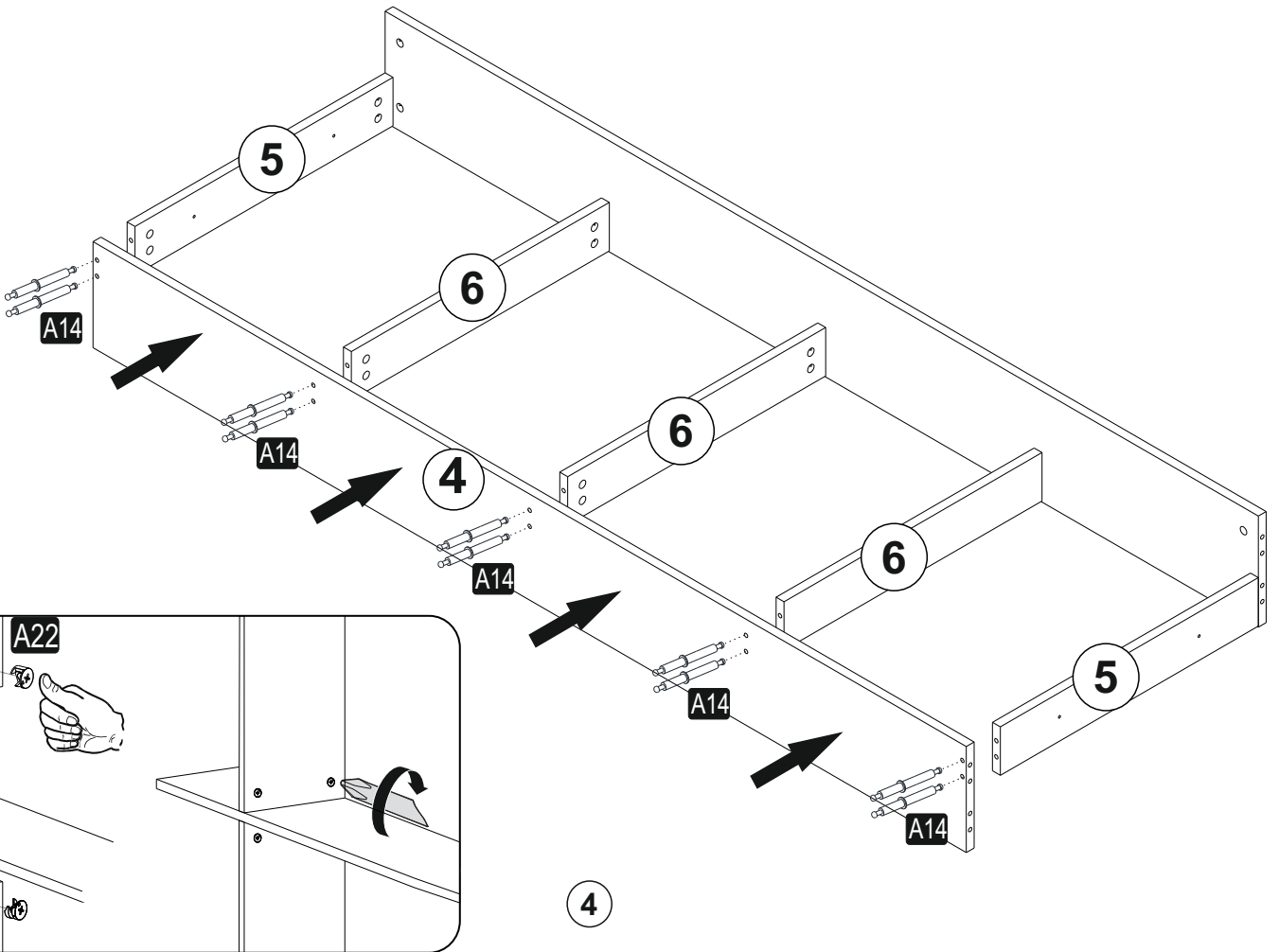
02694.01	1	1645	720	18
02694.02	1	1645	450	18
02694.03	2	2000	220	18
02694.04	1	2000	210	18
02694.05	4	791	96	18
02694.06	6	791	96	18
02694.07	8	1000	400	18



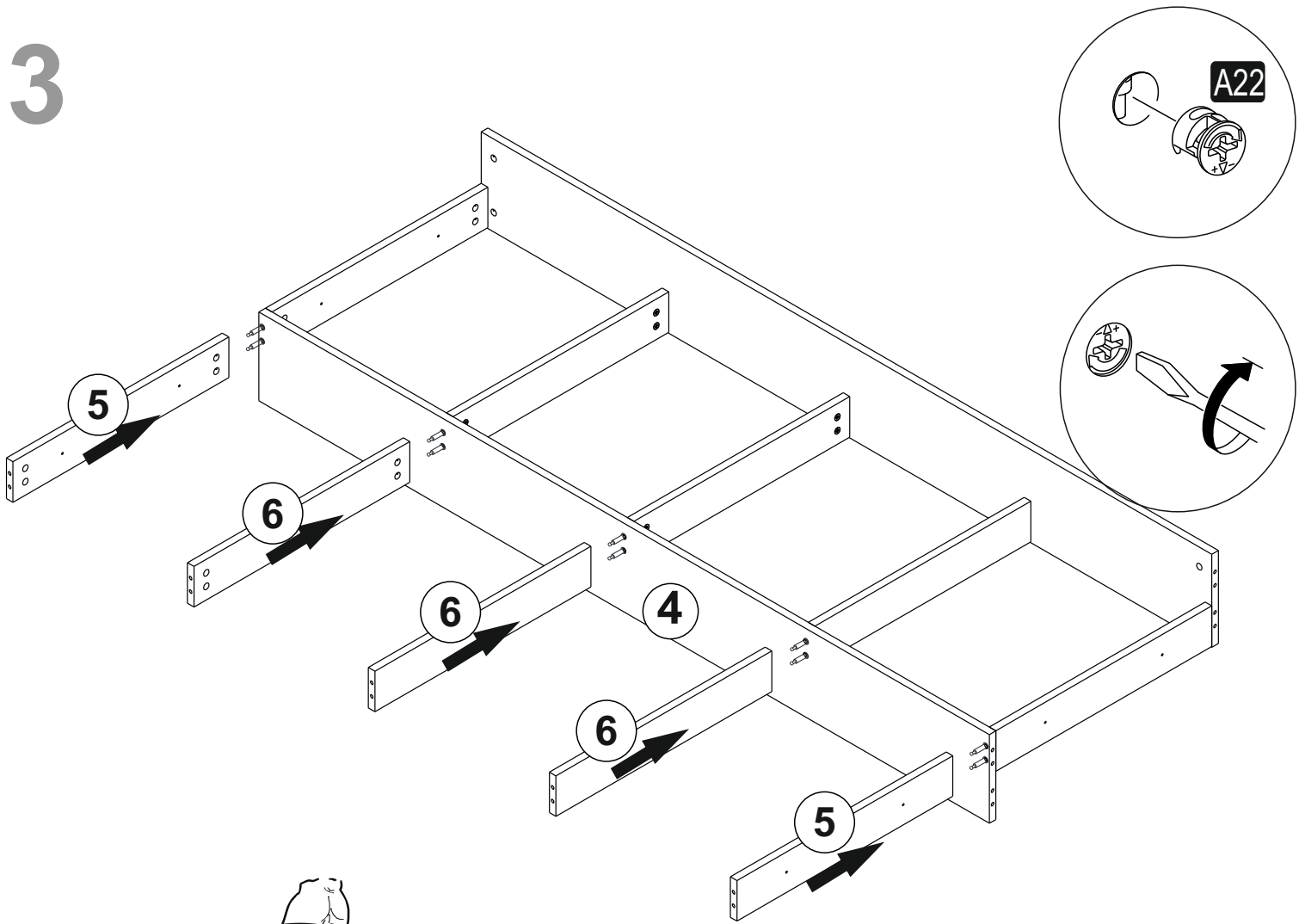
1



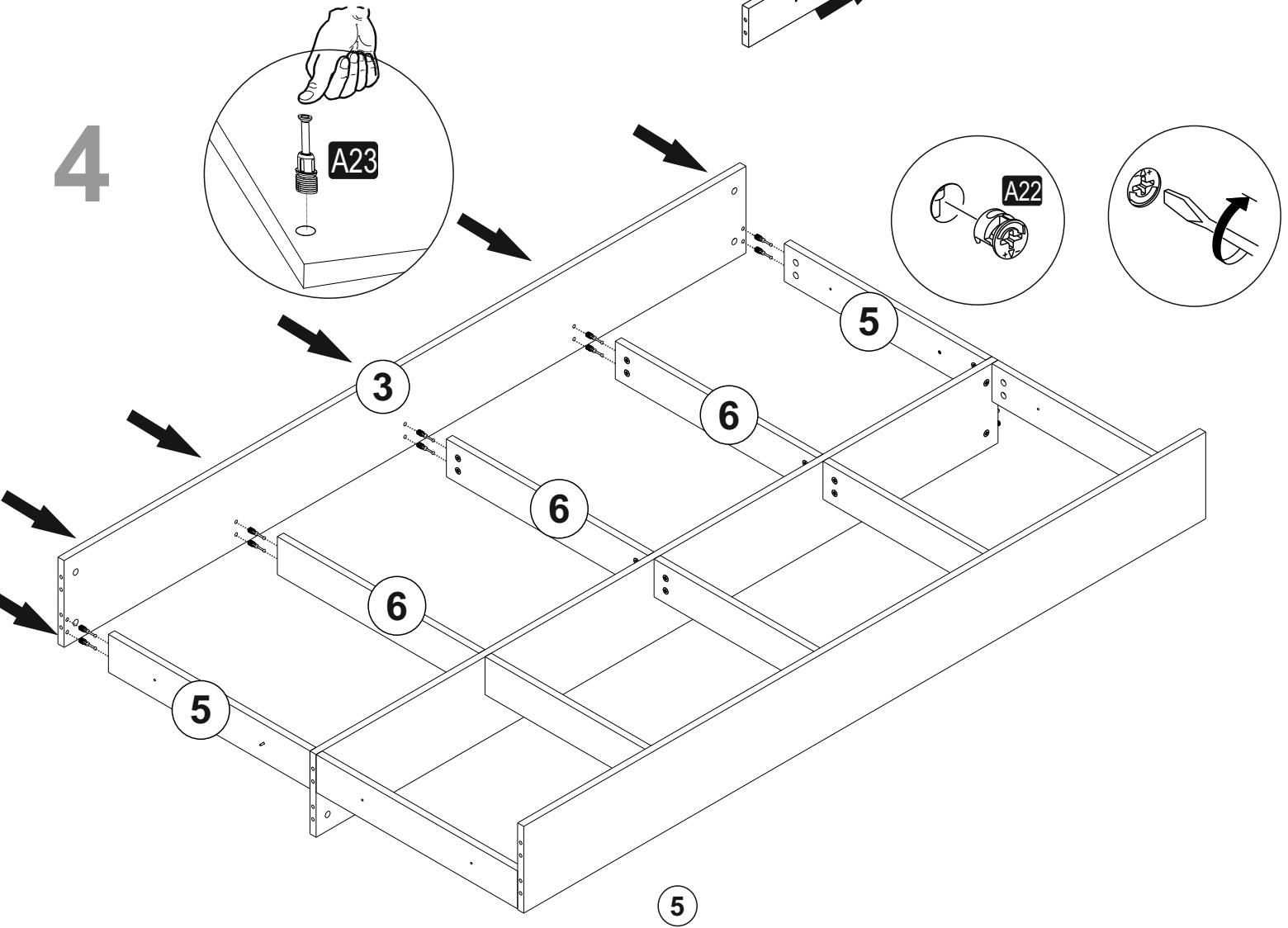
2



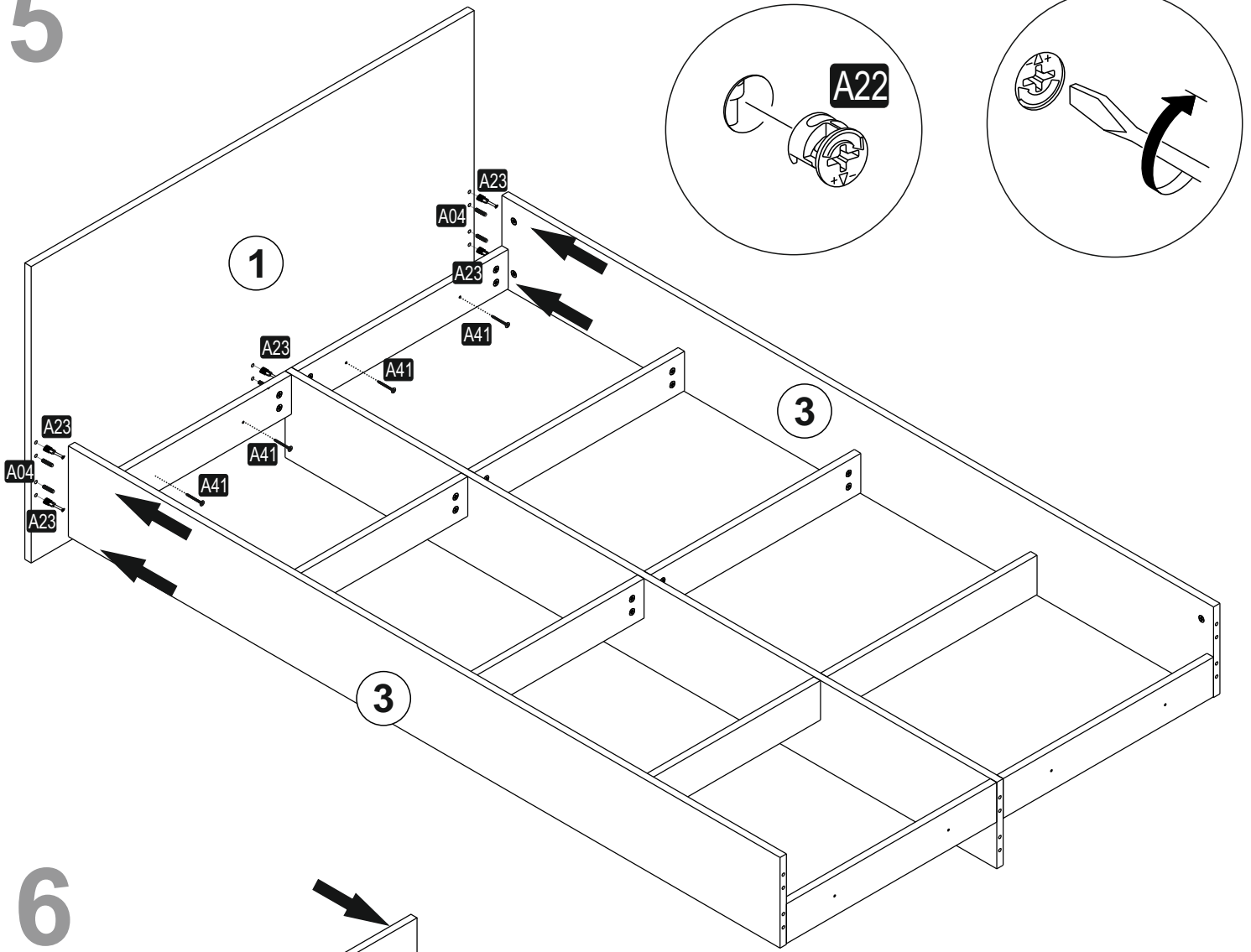
3



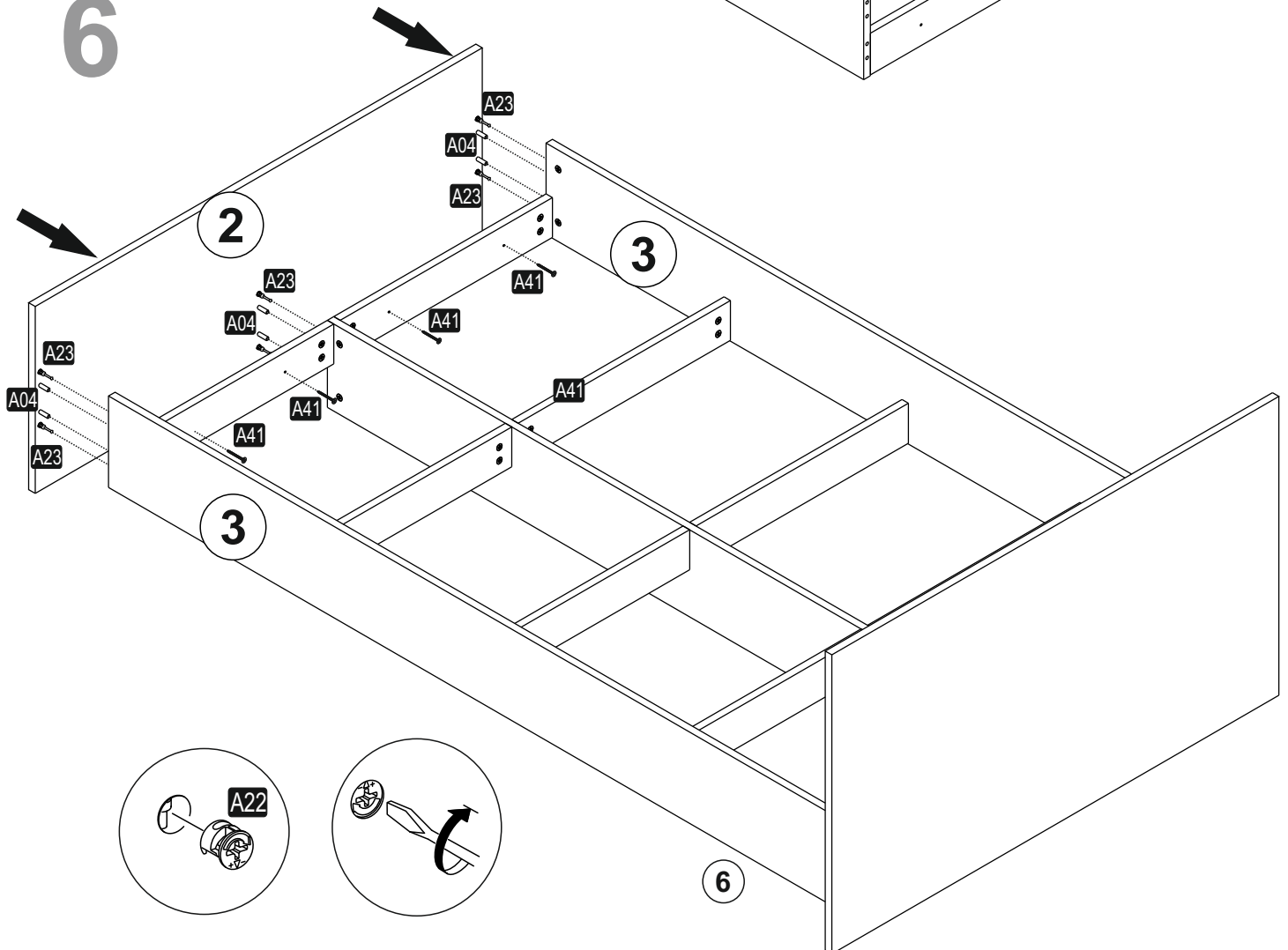
4



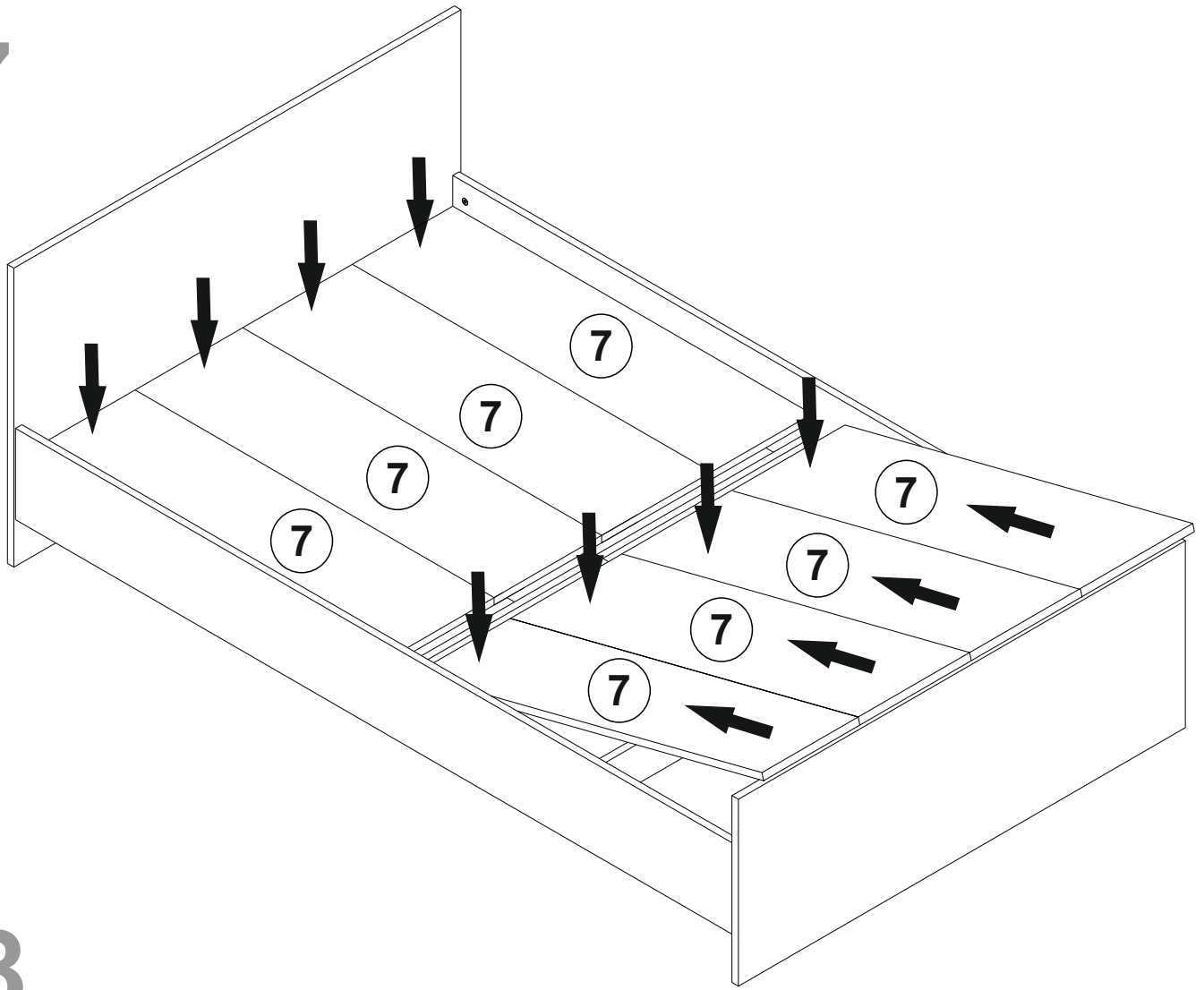
5



6



7



8

