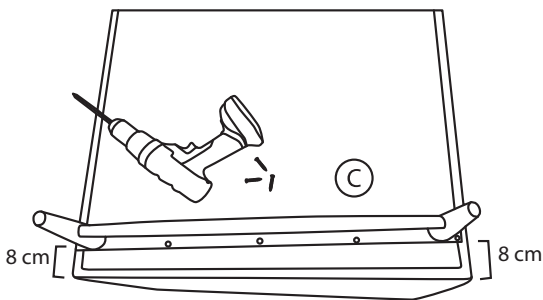


Accessory List

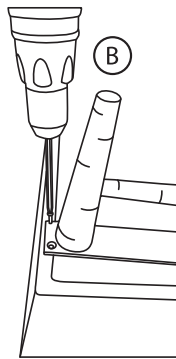


1

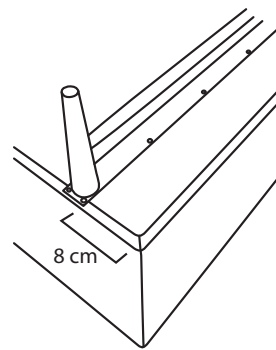


➔ Mount the iron leg leaving 8 cm from the corner

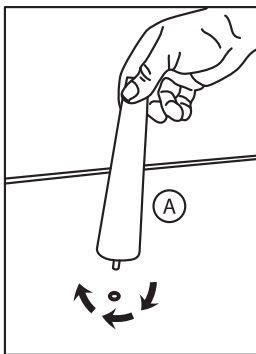
2



3

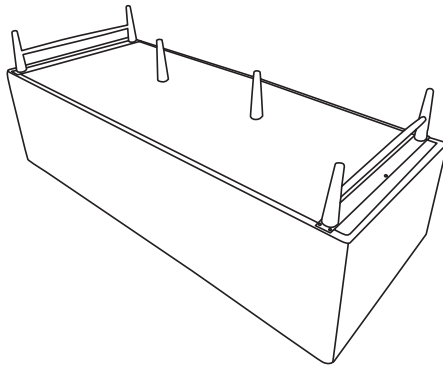


4



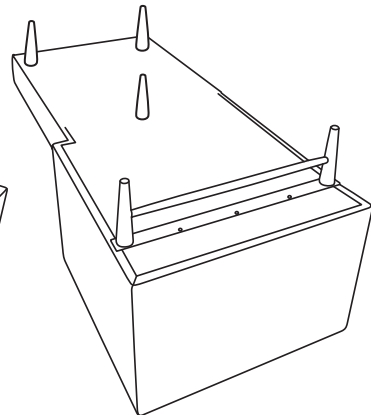
➔ Spin and mount the middle legs

5



SEAT PART

6



LOUNGE PART