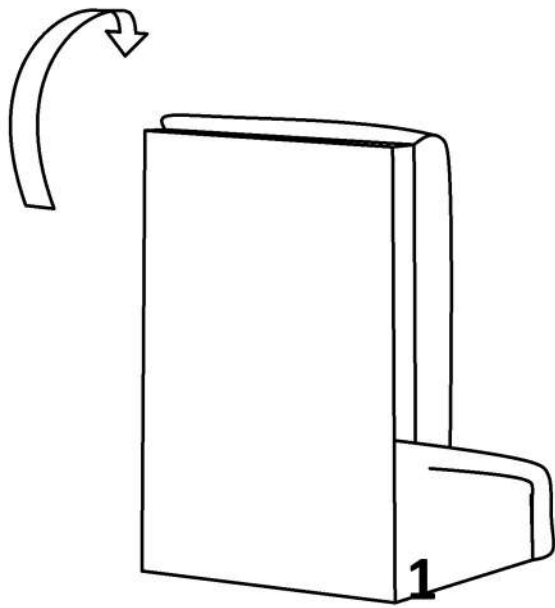
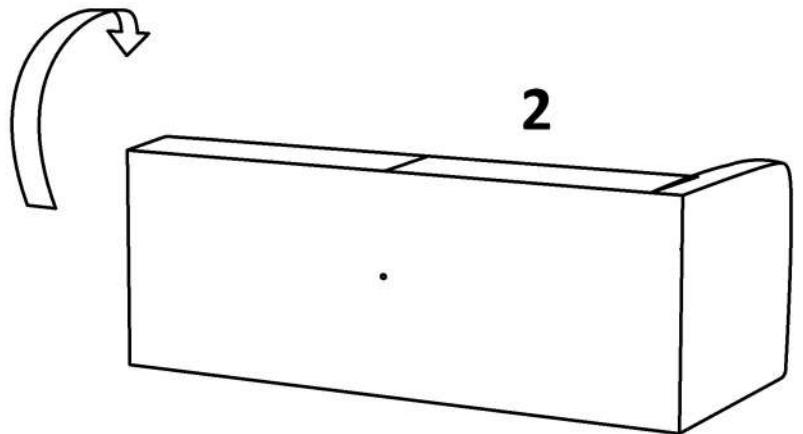


sofa includes 3 iron legs and 5 plastic adjustable middle leg.

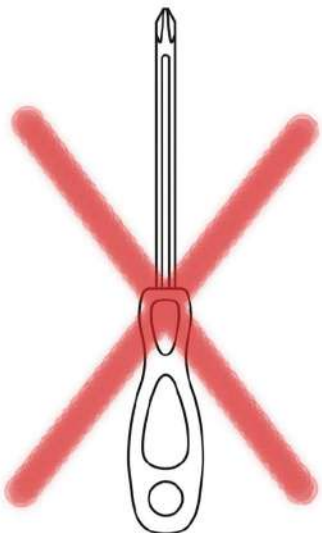
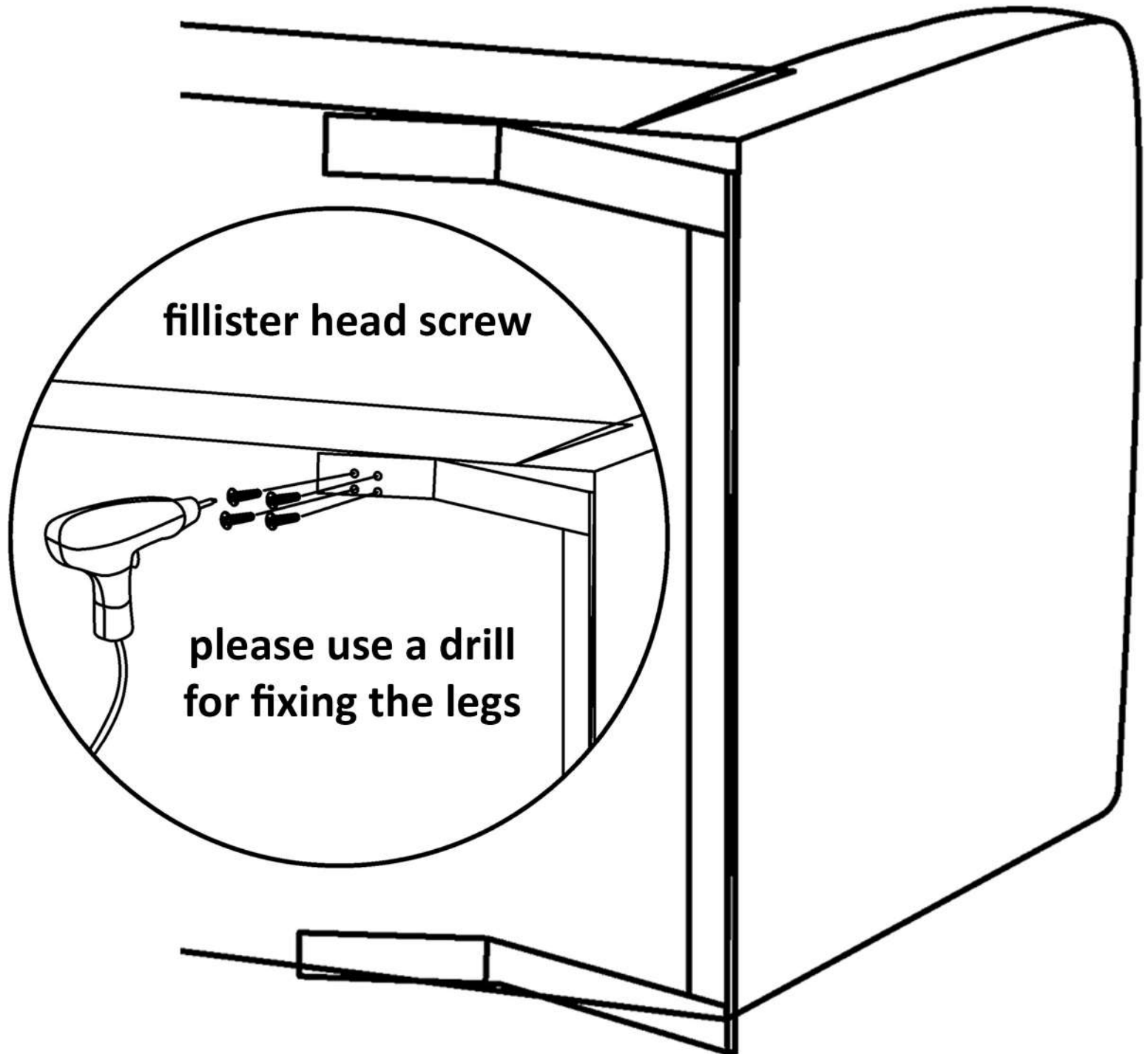
STEP 1



please recline the sofa

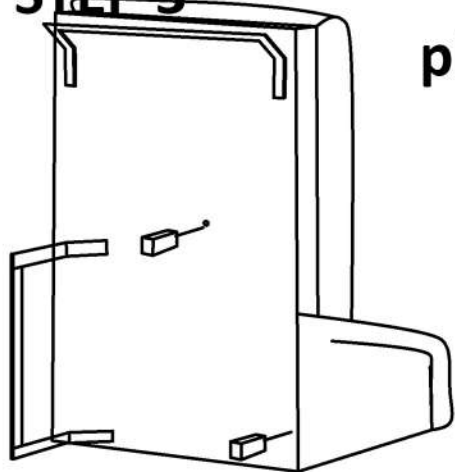


STEP 2

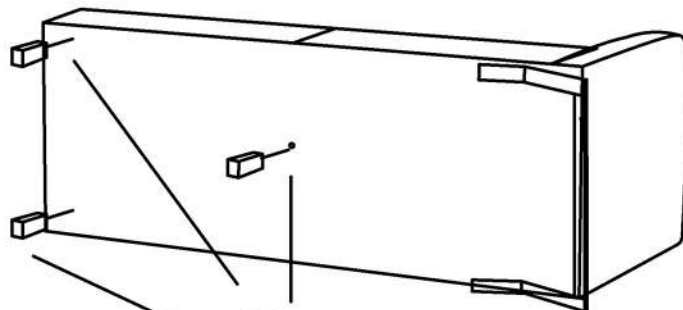


please don't use screwdriver

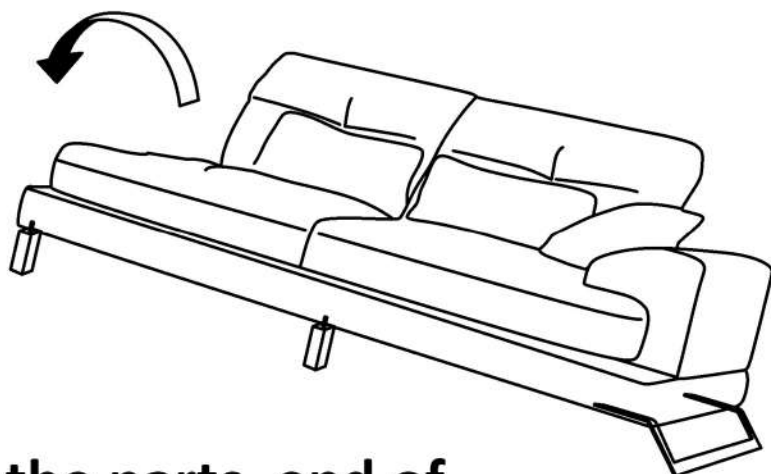
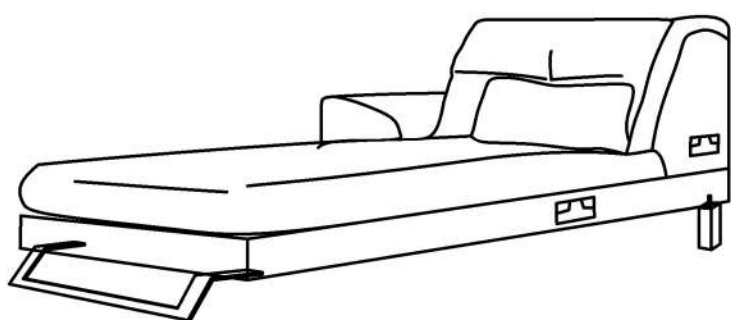
STEP 3



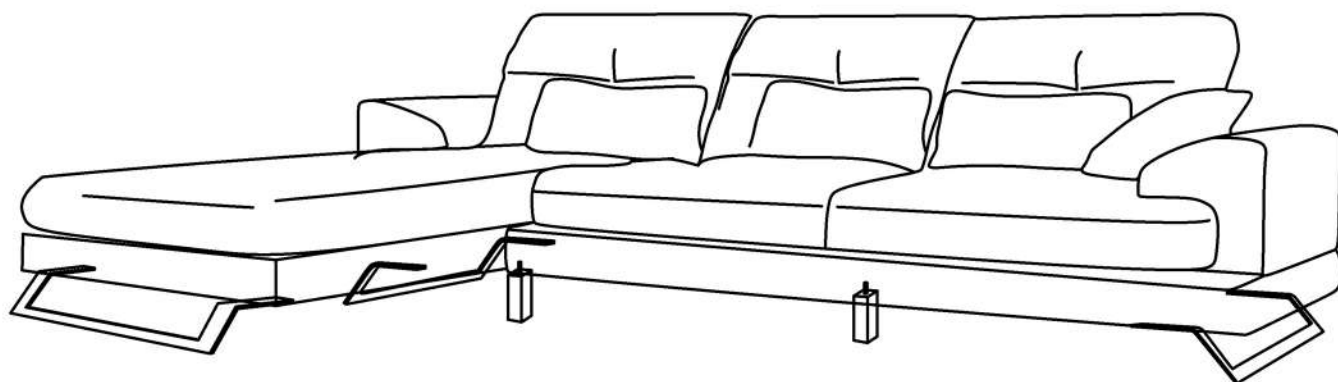
please find the fixing hole underneath,
place the adjustable plastic leg



STEP 4



please join to the parts, end of
the fixing legs



have a nice seating