


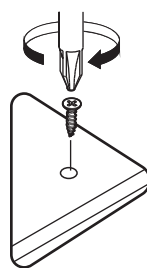
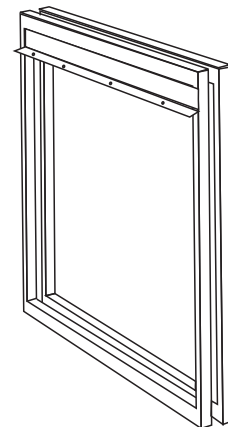
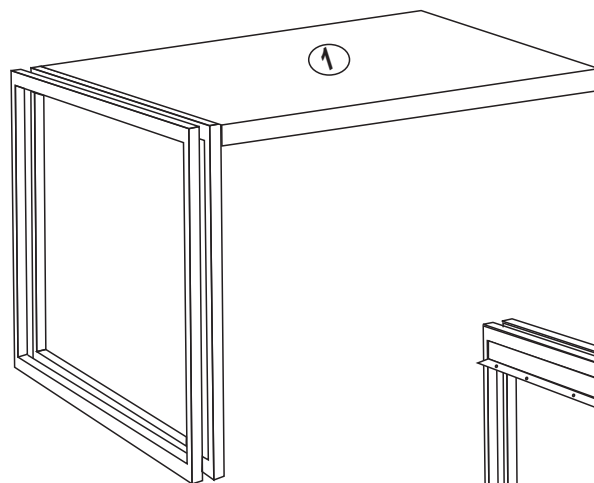
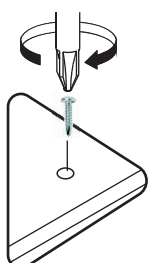
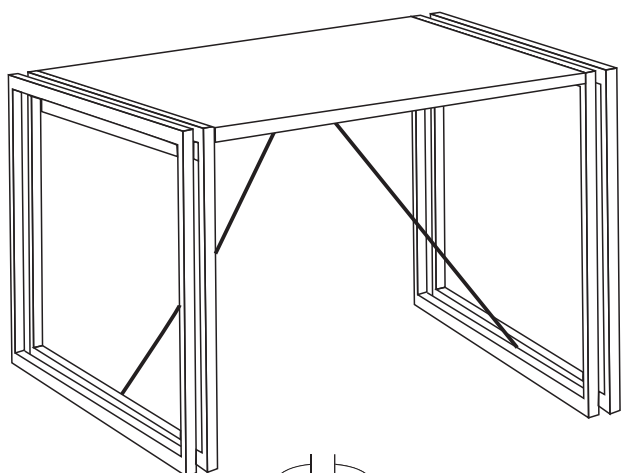
 <p>PULLING SCREW x 8</p>	 <p>FOOT SEAL x 8</p>	 <p>4x50 CHIPBOARD SCREW x 2</p>	 <p>4x20 SMART SCREW x 2</p>

* FIX THE ACCESORIES AS SHOWN FOLLOW THE INSTALLATION SEQUENCE WHILE INSTALLING THE PRODUCT .



4x20 CHIPBOARD SCREW x 2

UV2190403 COSMO MENSA (TABLE) ASSEMBLY GUIDE



4x20 SMART SCREW x 2

