

MINIFIKS SHAFT x 24



MINIFIKS HEAT x 24



DOWEL: x 24



PLASTIC PIN x 8



SUPER CAMEL HINGE x 4



HINGE x 2



HOLDER x 3



HOLDER SCREW x 6



4x18 CHIPBOARD SCREW x 36



PULLING SCREW x 4



CORNER WEDGE x 12

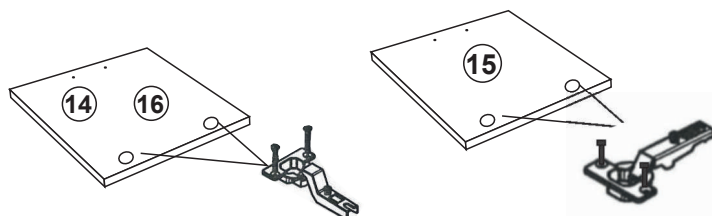
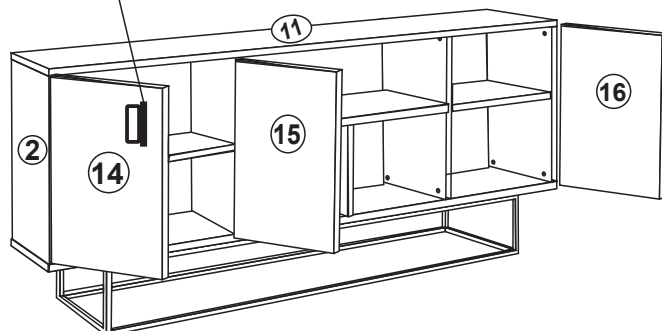
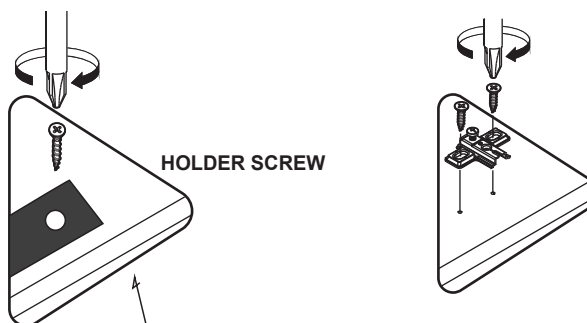


FOOT SEAL x 4

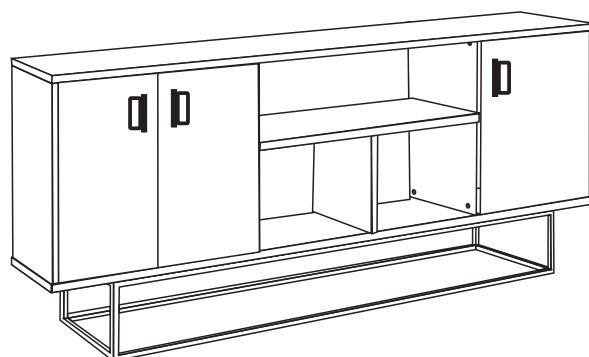
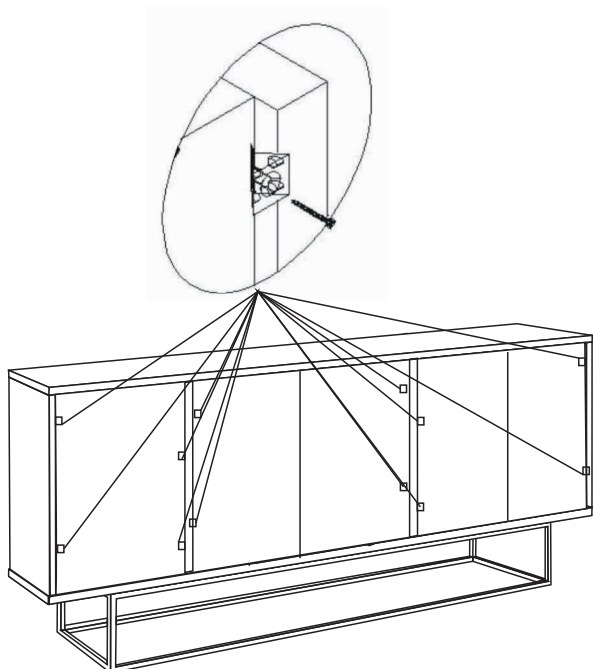


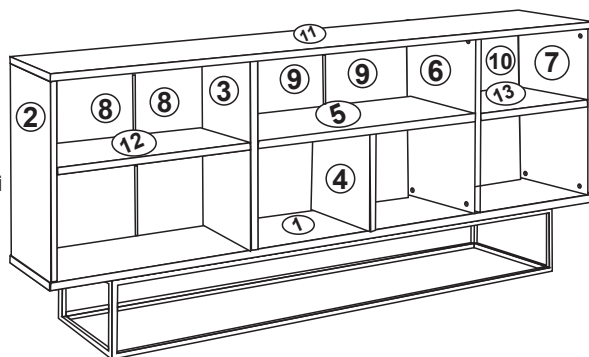
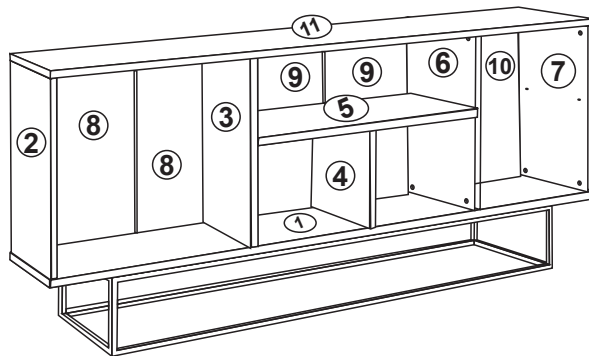
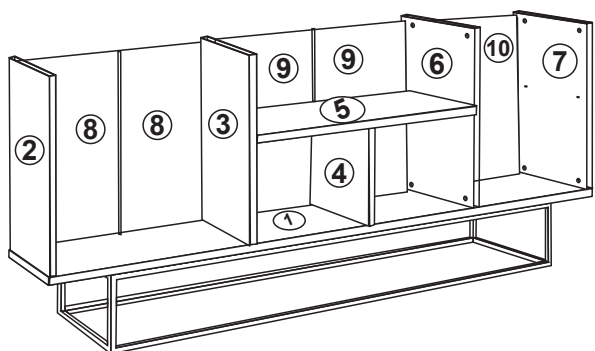
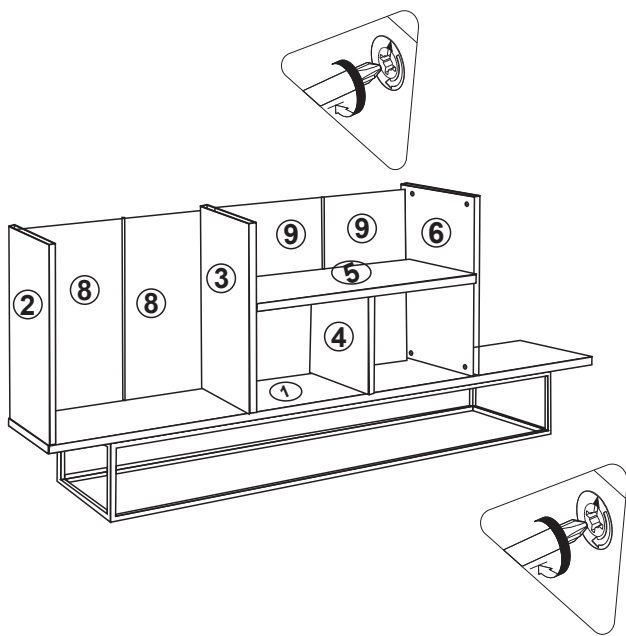
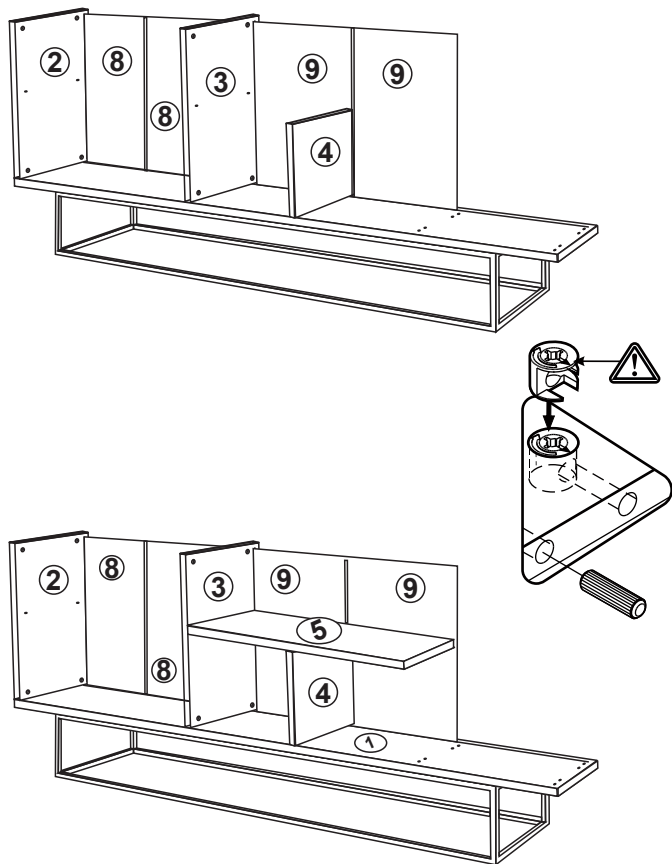
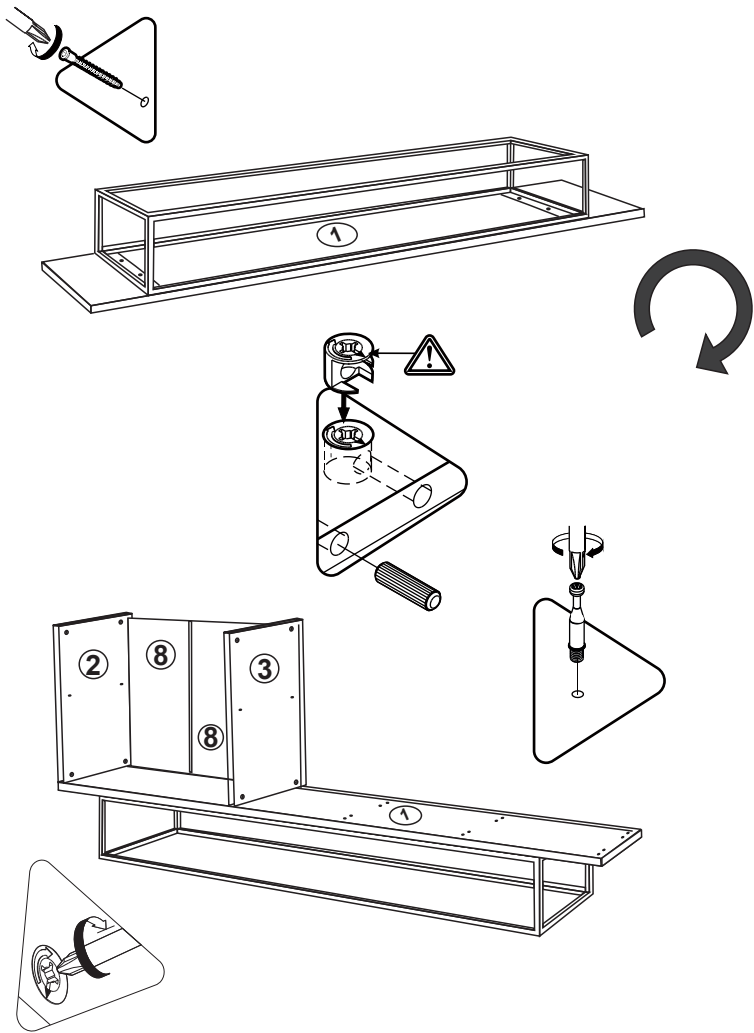
H PROFILE x 2

* FIX THE ACCESORIES AS SHOWN FOLLOW THE INSTALLATION SEQUENCE WHILE INSTALLING THE PRODUCT .



UV2530403 QUANTUM MEDULA (SIDE BOARD) ASSEMBLY GUIDE





NOT :PLACE CROSS THE PORTABLE SHELF