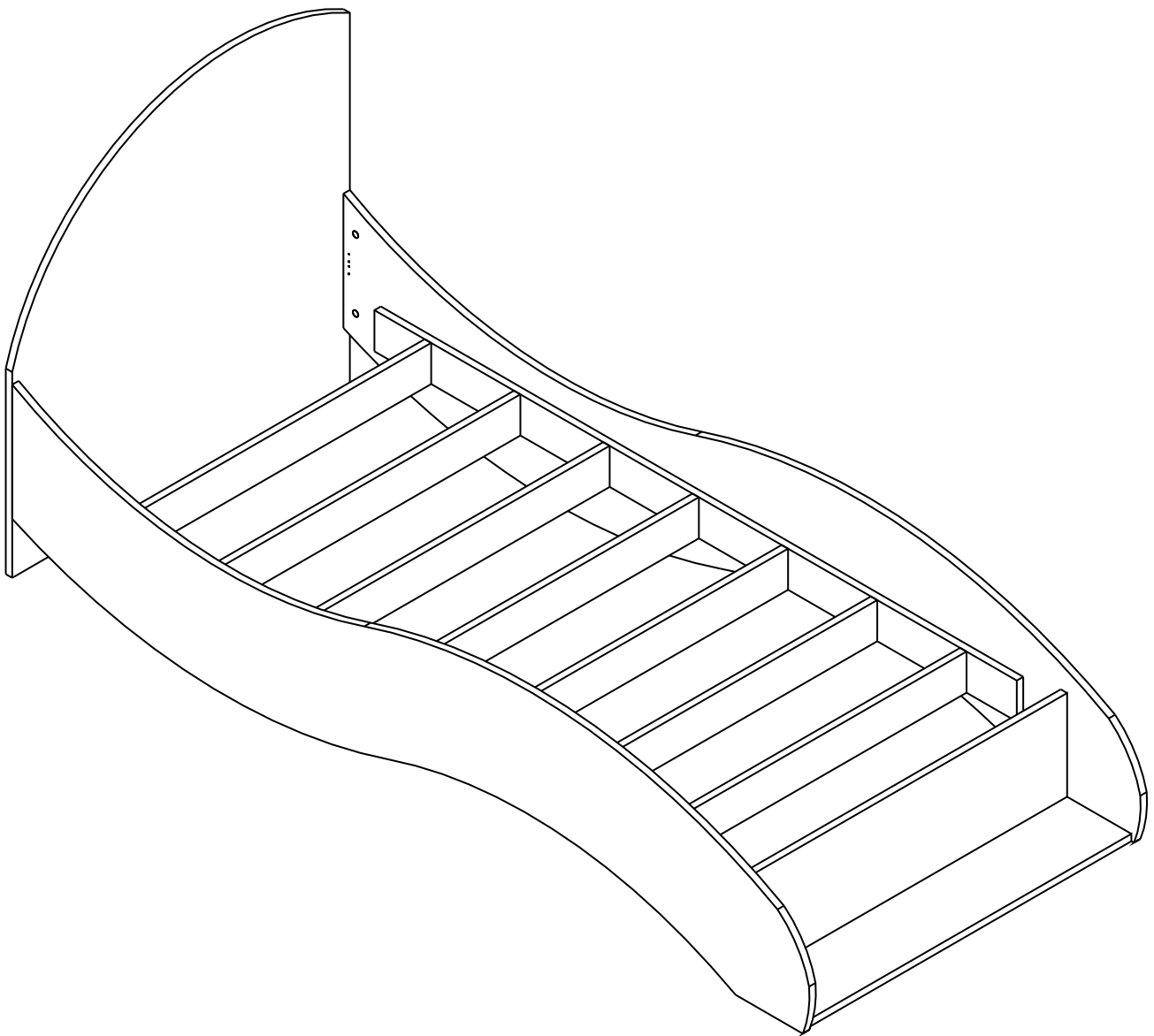


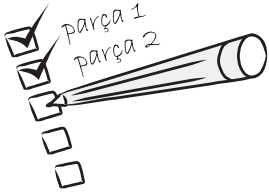
LENI



Dear Customer,

We design and produce our products for people to love and have fun with them as we do.

The product you bought was subjected to all sorts of tests and control before sending out to you.



Before start assembling, please check the whole components and accessories according to the lists. If you bought more than one product, to prevent confusion be sure that you completed the first product. Then start the other product's assembling.



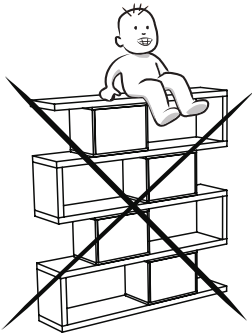
Before start assembling, please clean all the components with a damp cloth. Also for usual cleaning, this will be enough.



Although all the products are produced and packed carefully, sometimes happen that some component is damaged during the transportation. In such a case please check the missing or damaged part and do not hesitate to contact us. Telephone number

AMERİKA PHONE (201)282-1510

TÜRKİYE TELEFON (553) 966-7517

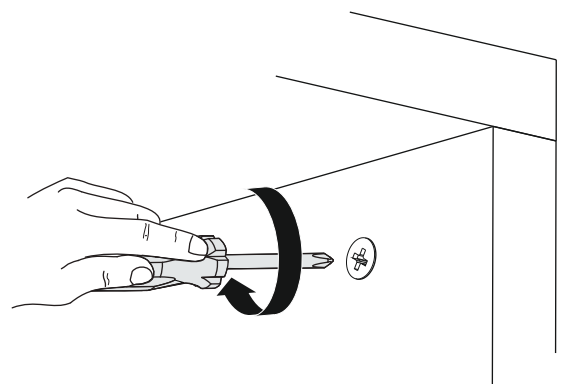
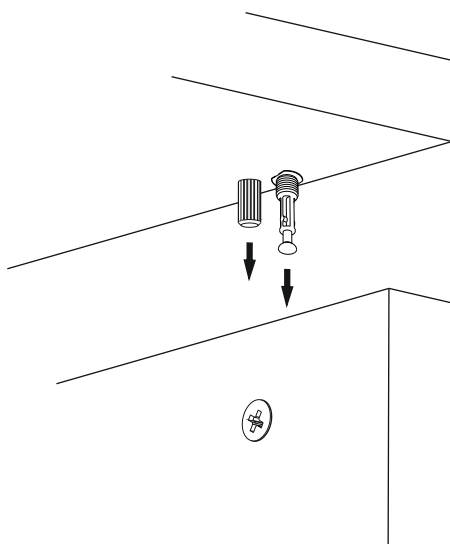
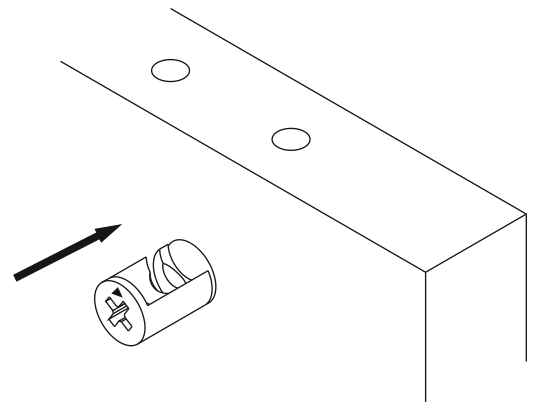
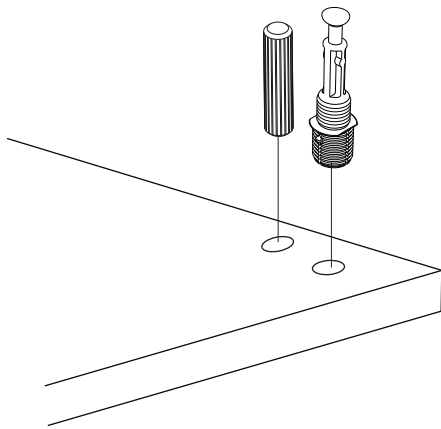
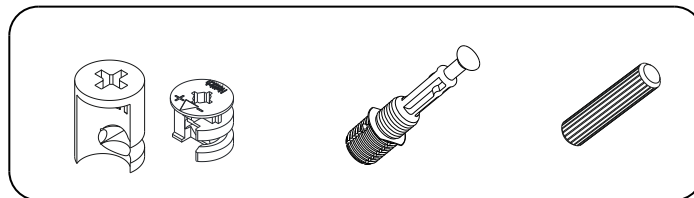


Do not use your furniture for out of purposes. If you would like to use it, please contact us for further questions.

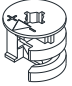
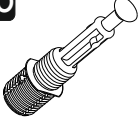
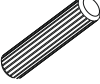
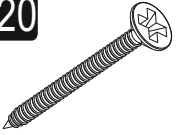


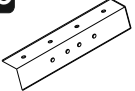
Do not directly contact your furniture with excessive heat, cold and humidity because the product can be affected..

ATTENTION !!

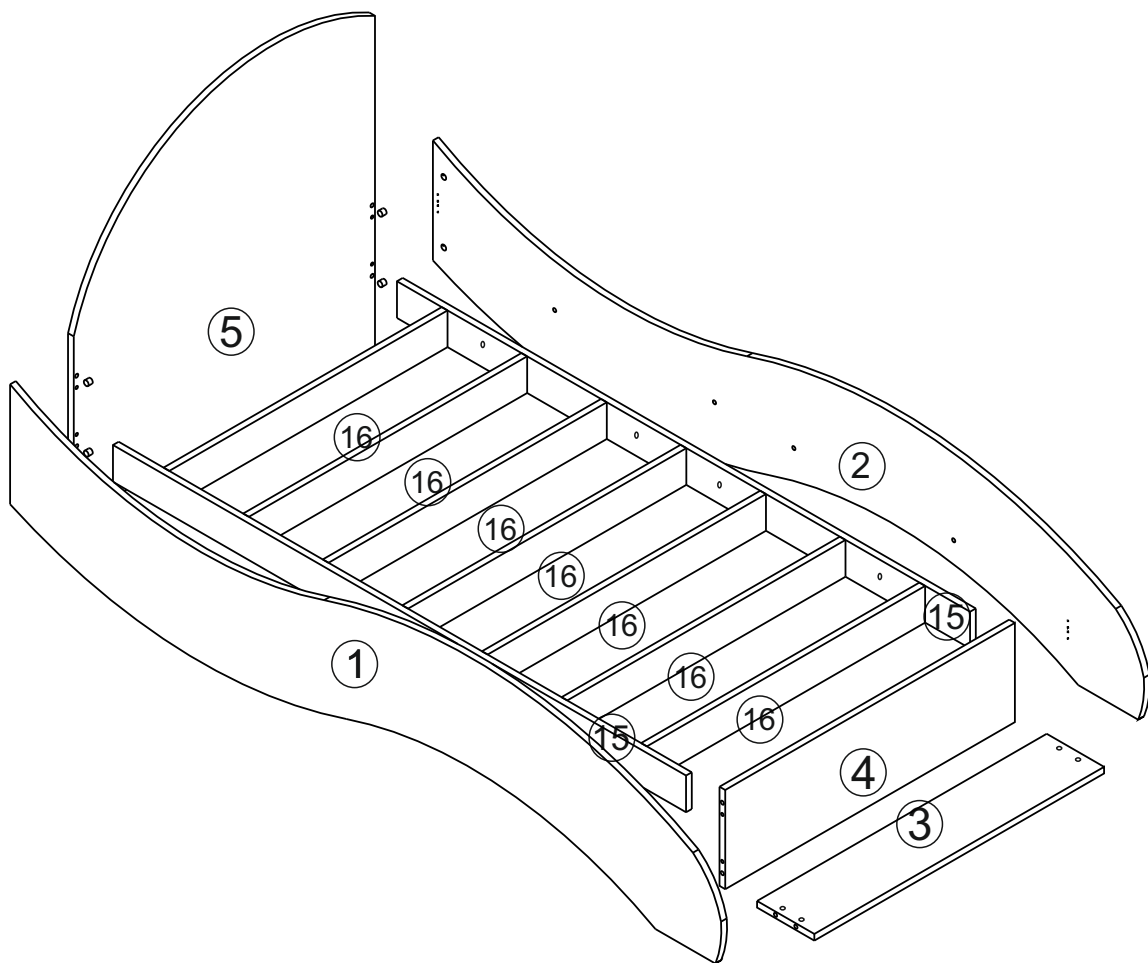
Minifix is the main connection material used in Decortie products. Before starting assembly, please check the drawings below.



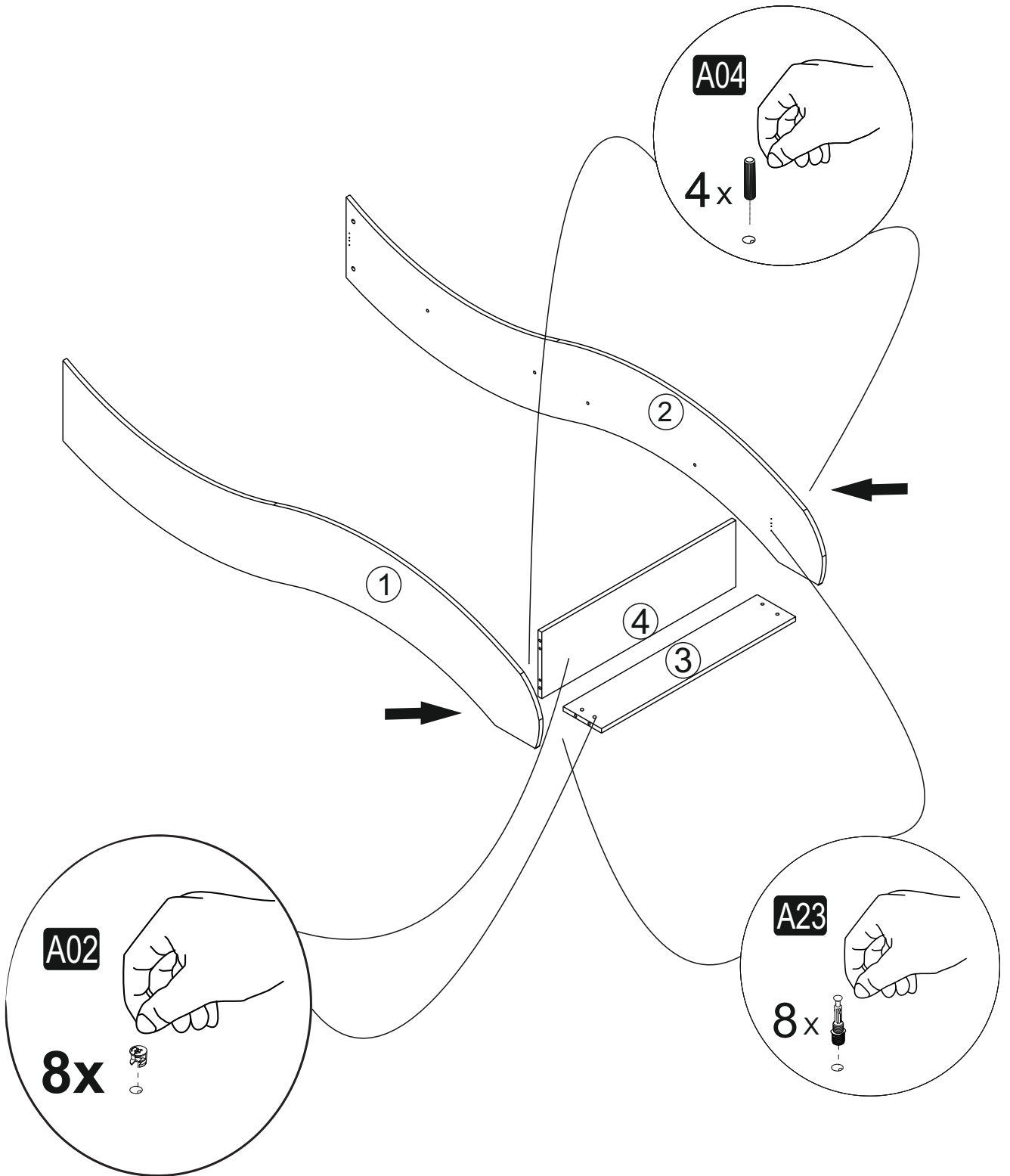
ACCESSORY LIST

A02 Minifix k18  12x	A23 Minifix M10  12x	A04 ø8  22x	A20 4x50  14x
A06 18 mm BYZ  12x c1	A09 3.5x18  32x	B03 krylbglns  4x	

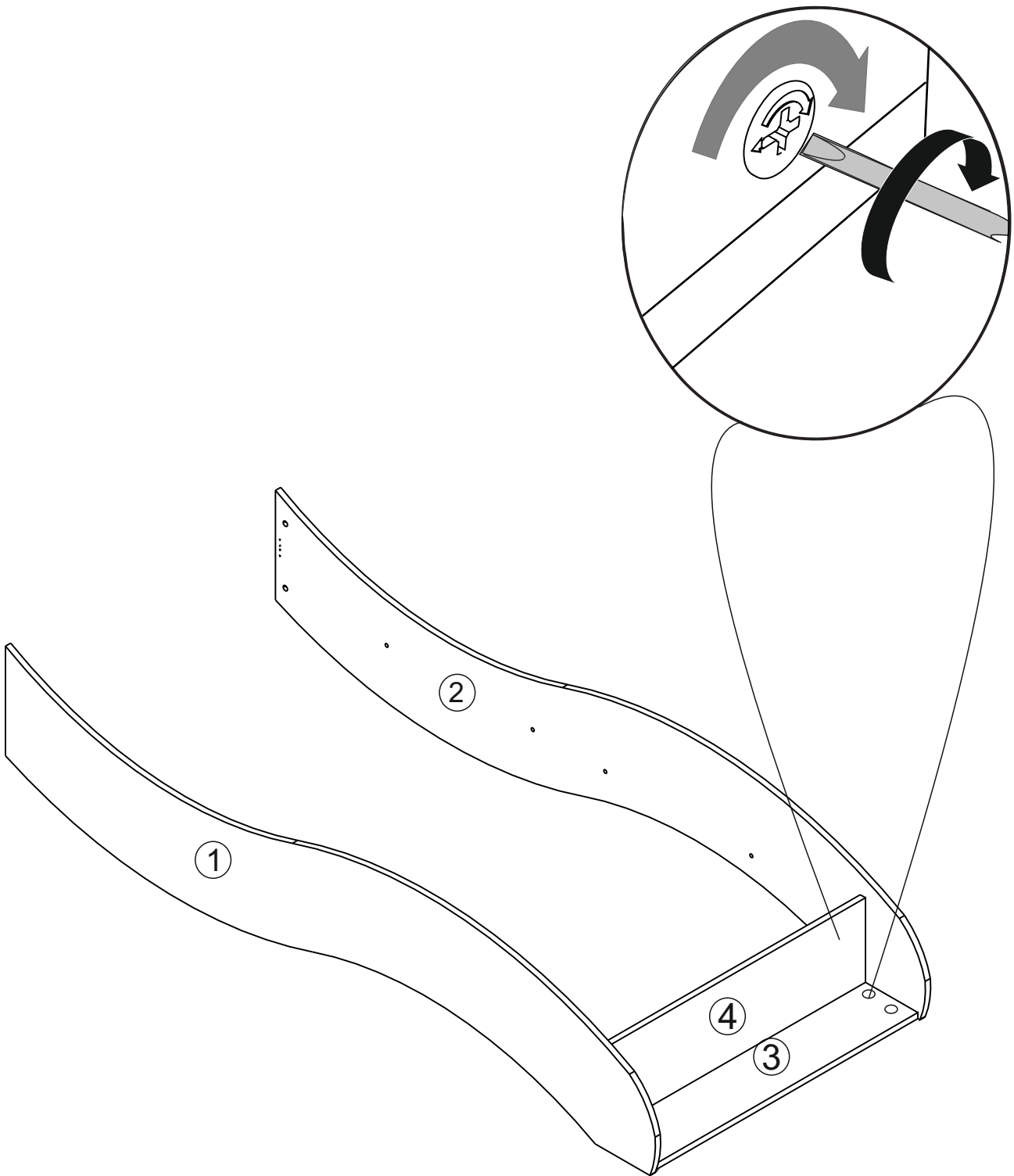
GENERAL VIEW



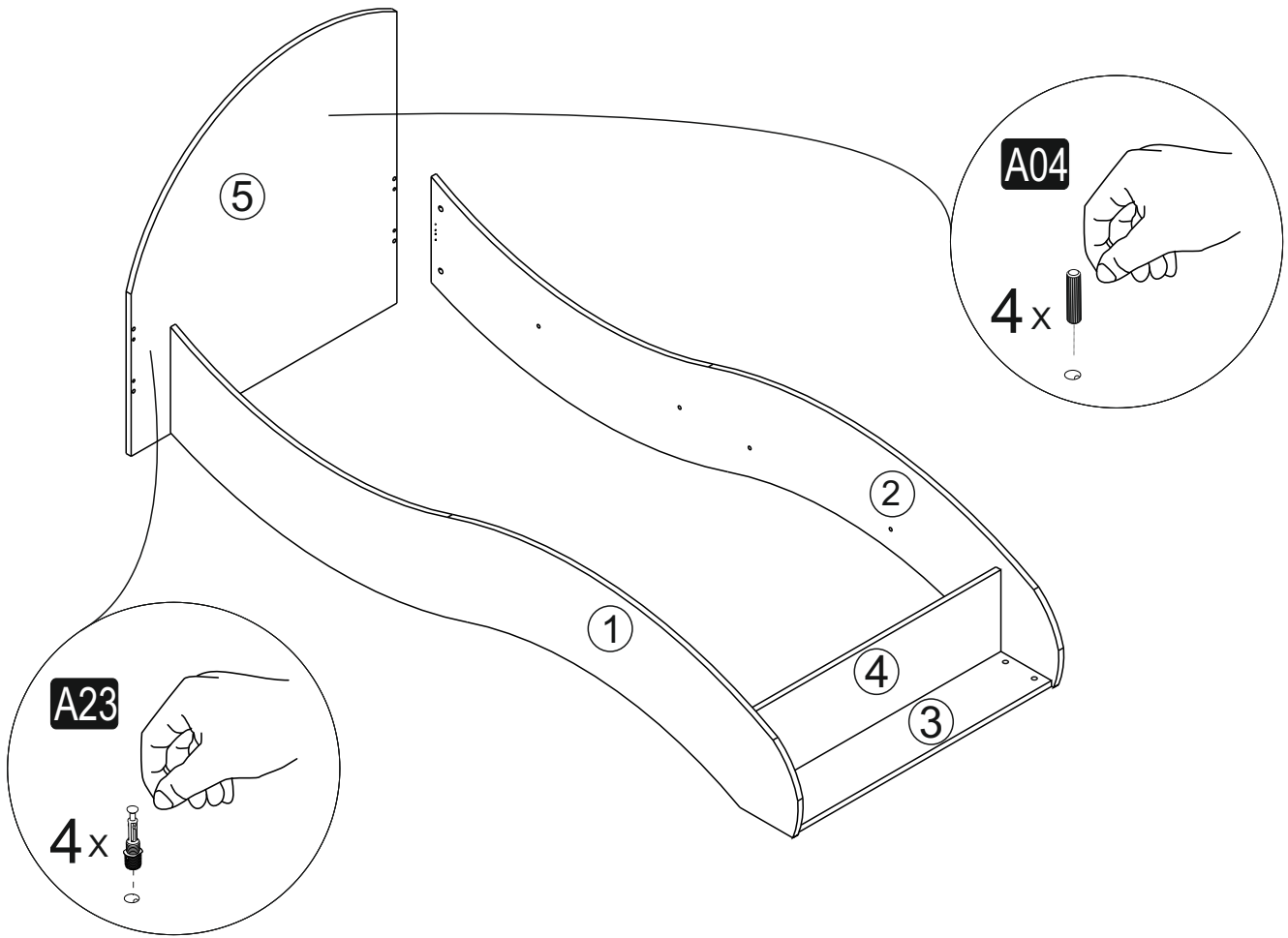
1



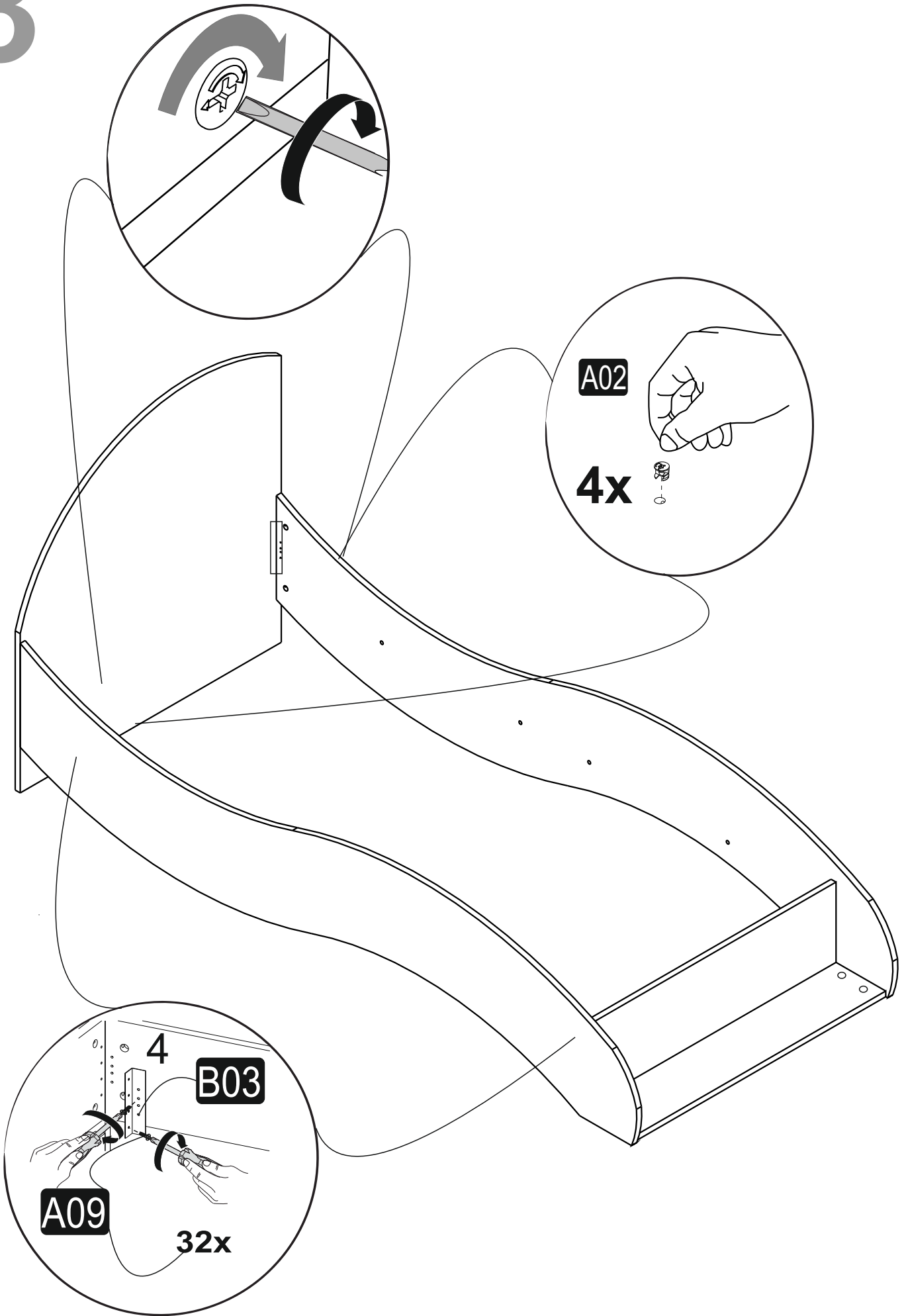
2



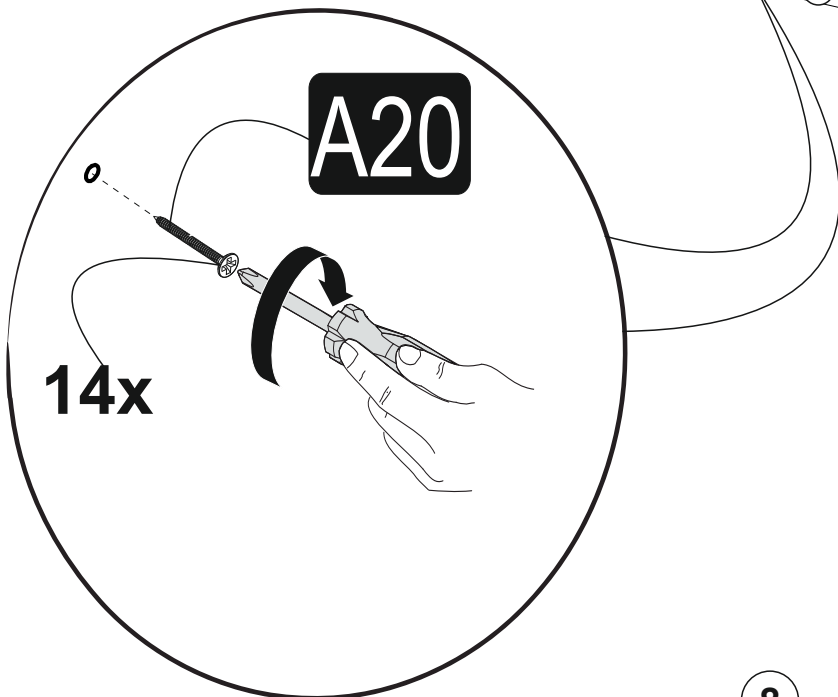
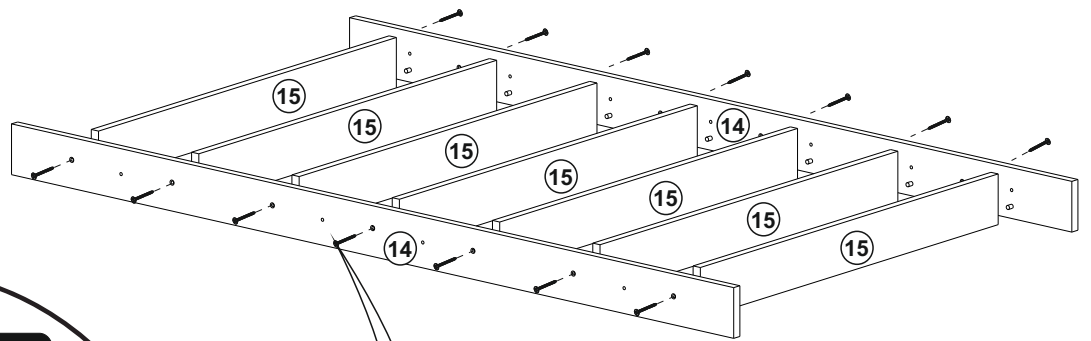
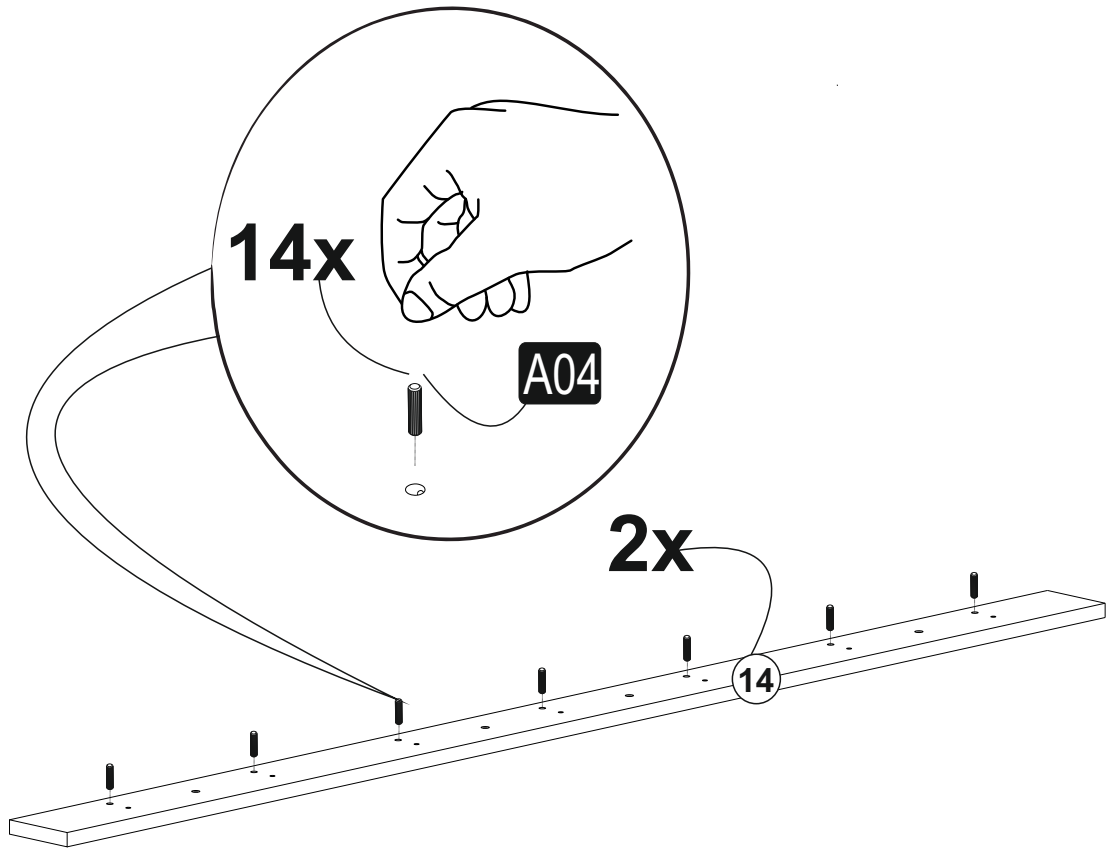
5



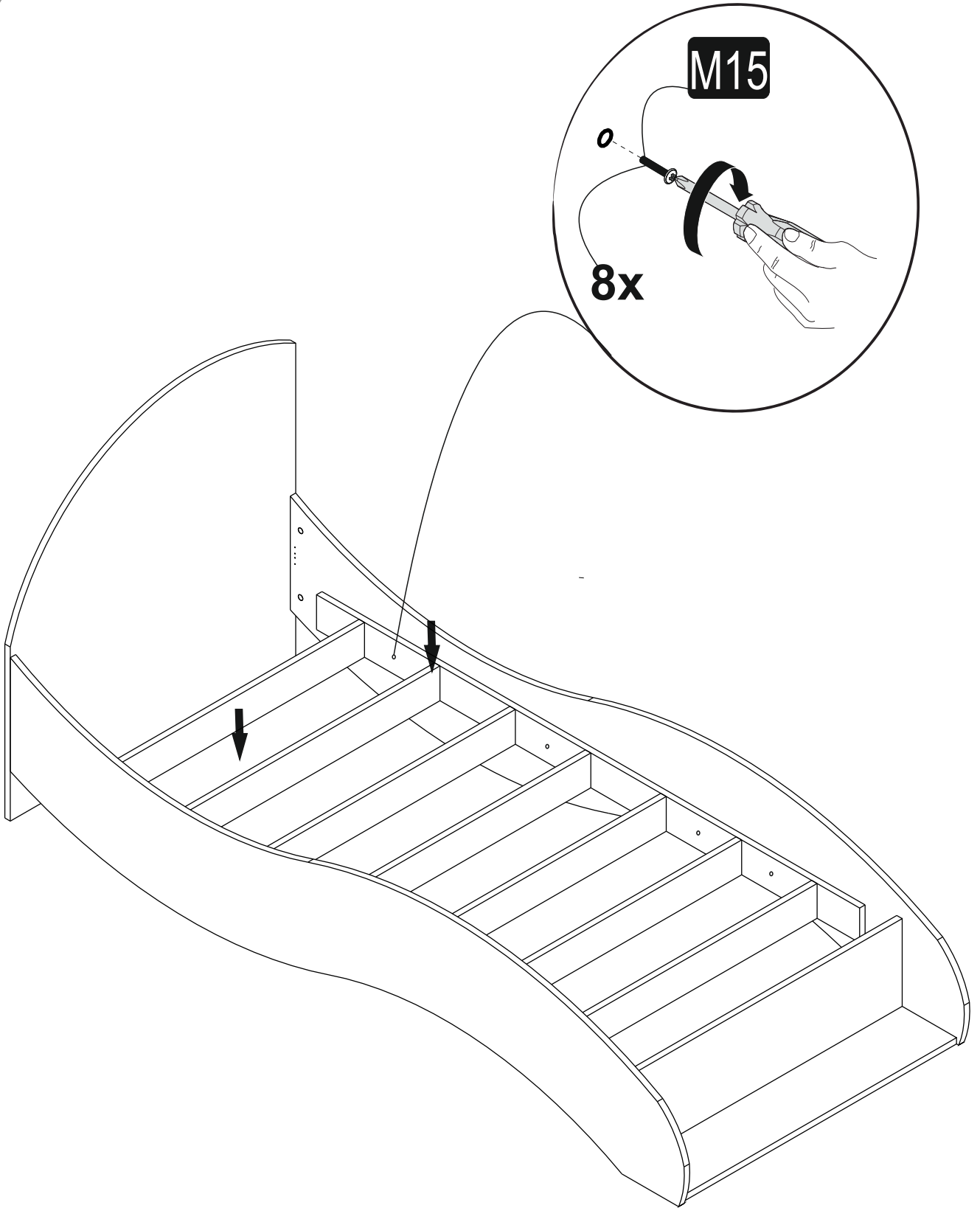
3

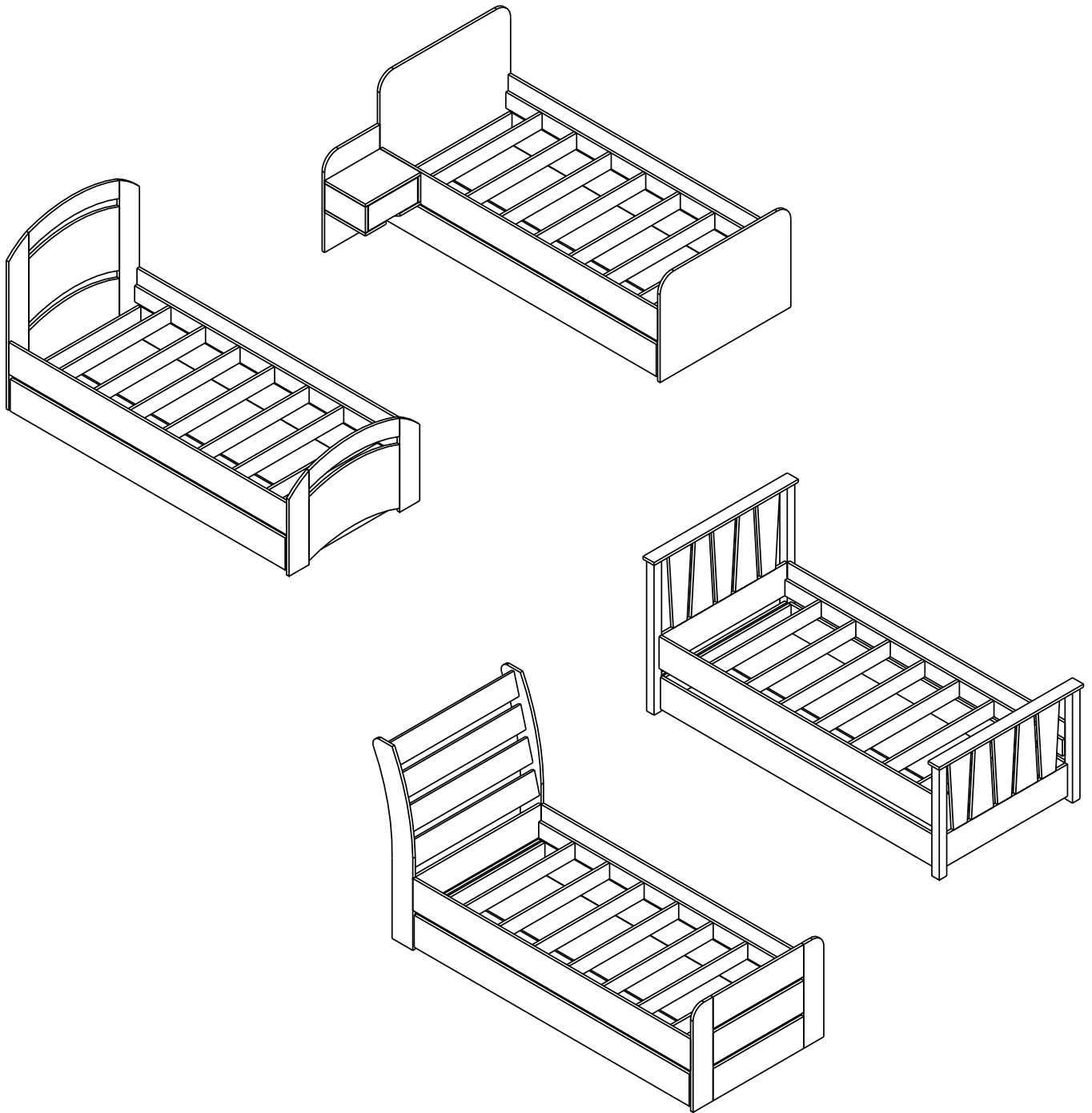


4



6





DİĐER ÜRÜNLERİMİZİ GÖRDÜNÜZMÜ???

www.decorotika.com