

HARRIS RXL

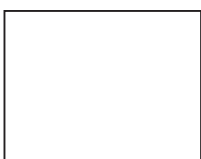
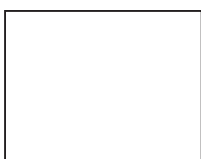
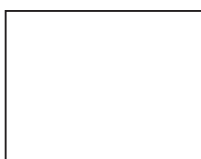
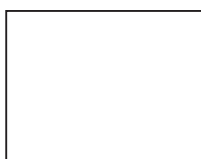
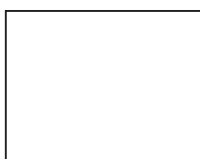
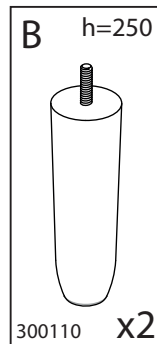
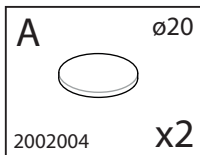
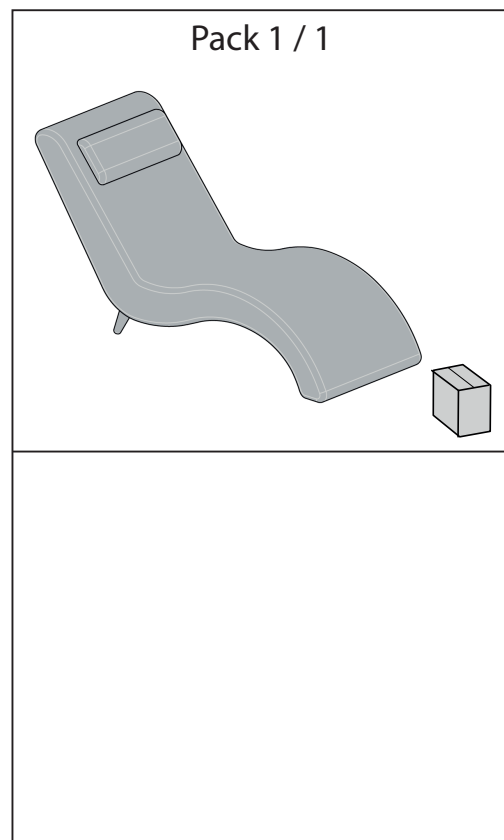
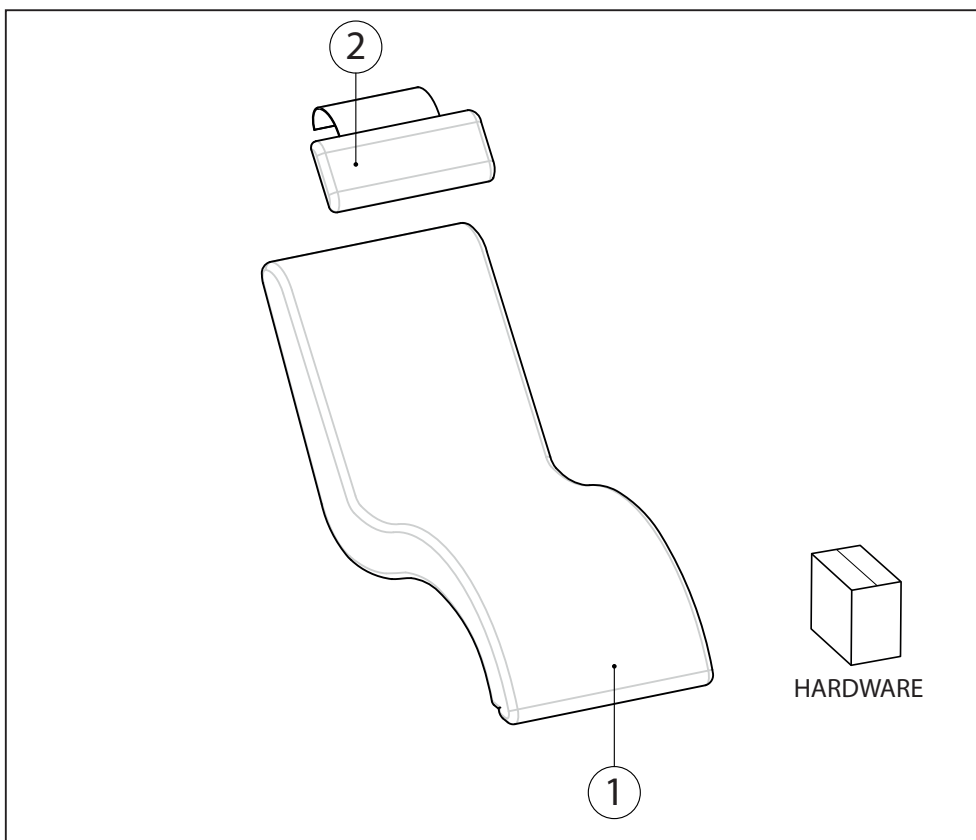
VERSION NO.: 01-03.04.20



5min

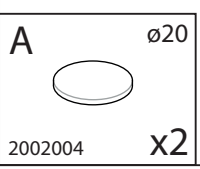
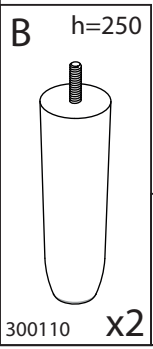
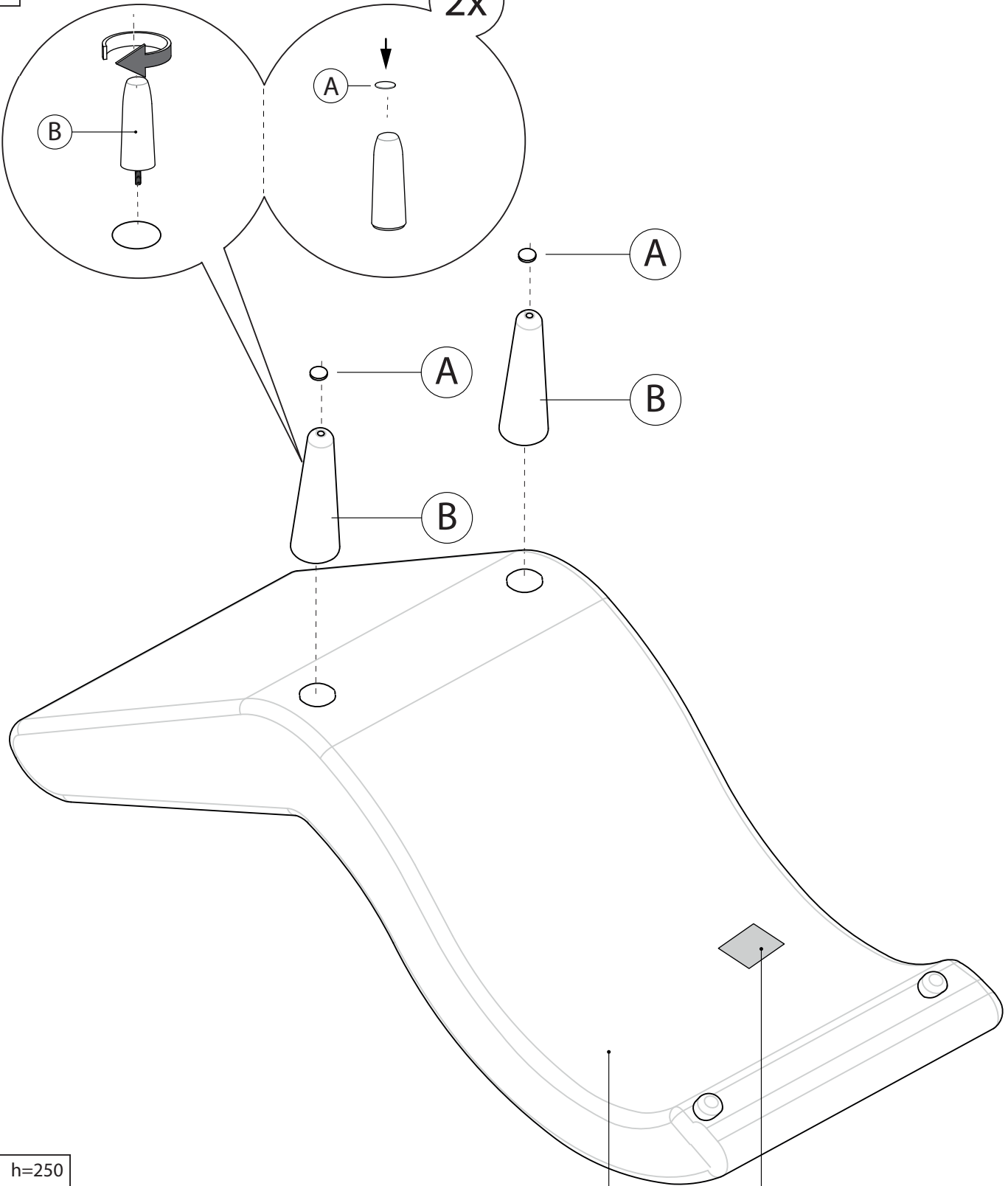


x2



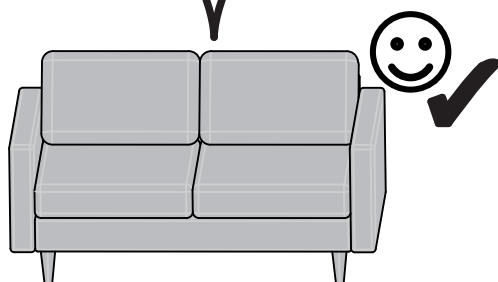
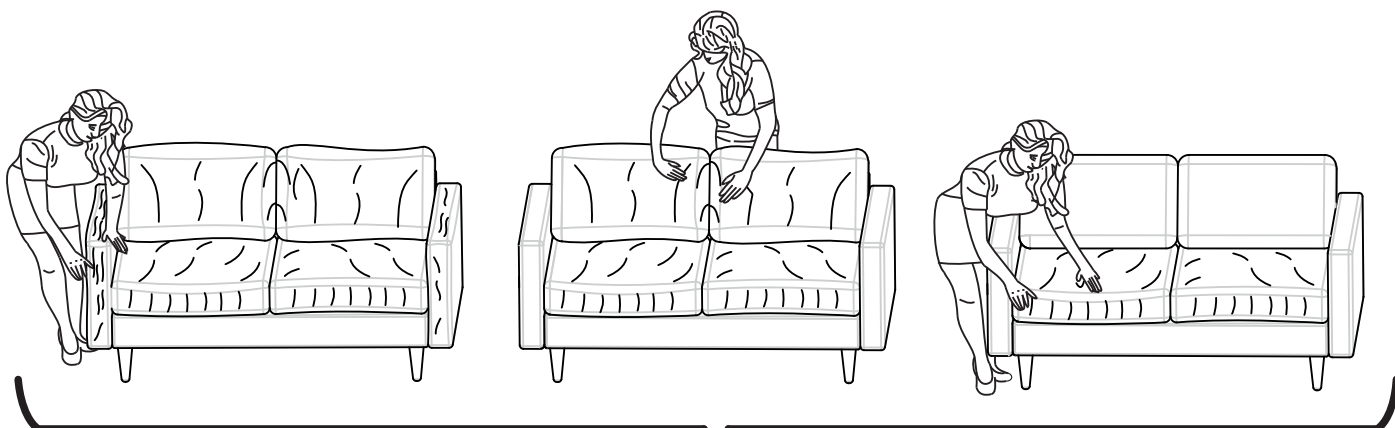
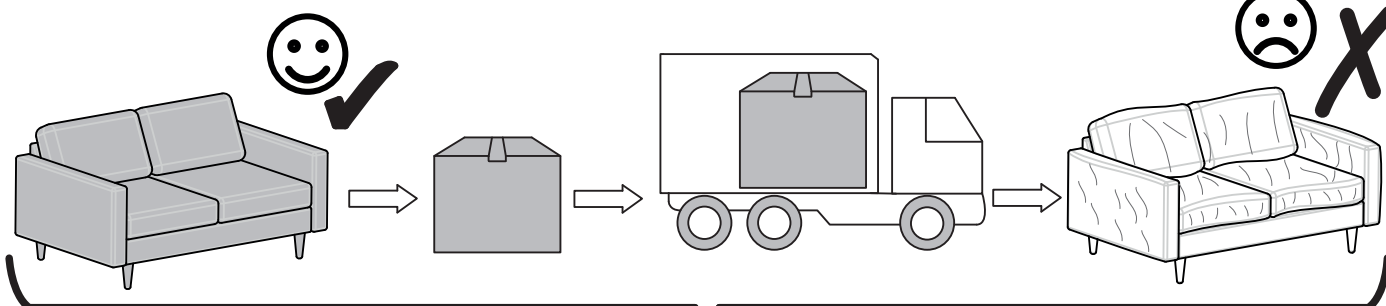
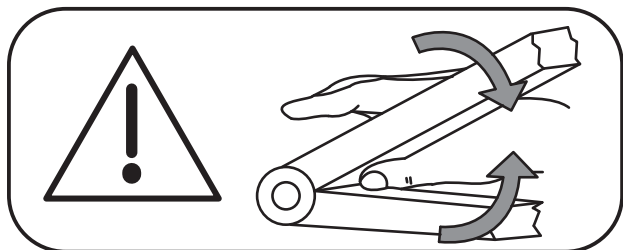
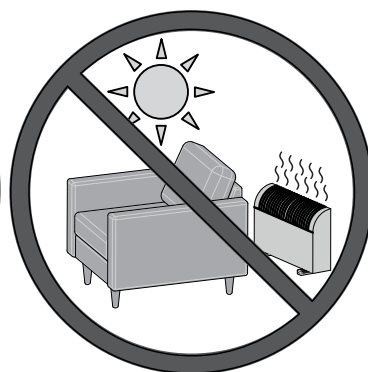
1

2x



1

SAV LABEL



ENGLISH

ASSEMBLY ADVICE:

- CAREFULLY READ THE ASSEMBLY INSTRUCTION.
- IDENTIFY THE COMPONENTS OF THE FURNITURE.
- USE THE CORRECT TOOLS AND EQUIPMENT.
- USE THE REQUIRED TOOLS.
- CREATE AN ASSEMBLY ZONE.
- MAKE THE ASSEMBLY.

SOFT WATER (NEUTRAL SOAP)	WATER	WATER	WATER	WATER	WATER
WATER	WATER	WATER	WATER	WATER	WATER
WATER	WATER	WATER	WATER	WATER	WATER
WATER	WATER	WATER	WATER	WATER	WATER
WATER	WATER	WATER	WATER	WATER	WATER
WATER	WATER	WATER	WATER	WATER	WATER

CLEANING ADVICE:

- CAREFULLY REMOVE THE DUST.
- USE ONLY THE SOFT WATER AND DAMP CLOTH.
- DO NOT USE ANY DETERGENTS OR SOLVENTS.
- DO NOT USE ANY DETERGENTS OR SOLVENTS.
- DO NOT USE ANY DETERGENTS OR SOLVENTS.
- DO NOT USE ANY DETERGENTS OR SOLVENTS.

WATER	WATER	WATER	WATER	WATER	WATER
WATER	WATER	WATER	WATER	WATER	WATER
WATER	WATER	WATER	WATER	WATER	WATER
WATER	WATER	WATER	WATER	WATER	WATER
WATER	WATER	WATER	WATER	WATER	WATER
WATER	WATER	WATER	WATER	WATER	WATER

DEUTSCH - SCHWEIZ

MONTAGE ANLEITUNG:

- DIE MONTAGEANLEITUNG SORGFÄLTIG DURCHLESEN.
- BEI DER MONTAGE DIE TEILE RICHTIG ZUEINANDER IDENTIFIZIEREN.
- BEI DER MONTAGE NUR DIE RICHTIGEN WERKZEUGE VERWENDEN.
- BEI DER MONTAGE NUR DIE RICHTIGEN WERKZEUGE VERWENDEN.
- BEI DER MONTAGE NUR DIE RICHTIGEN WERKZEUGE VERWENDEN.
- BEI DER MONTAGE NUR DIE RICHTIGEN WERKZEUGE VERWENDEN.

WASSER	WASSER	WASSER	WASSER	WASSER	WASSER
WASSER	WASSER	WASSER	WASSER	WASSER	WASSER
WASSER	WASSER	WASSER	WASSER	WASSER	WASSER
WASSER	WASSER	WASSER	WASSER	WASSER	WASSER
WASSER	WASSER	WASSER	WASSER	WASSER	WASSER
WASSER	WASSER	WASSER	WASSER	WASSER	WASSER

FRANÇAIS - SUISSE

CONSEILS DE MONTAGE:

- BEN ETUDIER LA NOTICE DE MONTAGE.
- REPRENEZ LES VIS APRES QUELQUES JOURS.
- REPRENEZ LES VIS APRES QUELQUES JOURS.
- REPRENEZ LES VIS APRES QUELQUES JOURS.
- REPRENEZ LES VIS APRES QUELQUES JOURS.
- REPRENEZ LES VIS APRES QUELQUES JOURS.

WASSER	WASSER	WASSER	WASSER	WASSER	WASSER
WASSER	WASSER	WASSER	WASSER	WASSER	WASSER
WASSER	WASSER	WASSER	WASSER	WASSER	WASSER
WASSER	WASSER	WASSER	WASSER	WASSER	WASSER
WASSER	WASSER	WASSER	WASSER	WASSER	WASSER
WASSER	WASSER	WASSER	WASSER	WASSER	WASSER

POLSKI

WSKAZÓWKI MONTAŻOWE:

- WALEZY DOKŁADNIE PRZECZYTAĆ INSTRUKCJĘ MONTAŻU.
- ZIDENTYFIKOWAĆ CZĘŚCI MEBLA.
- POGRUPUJĄC SPRZĄDZĄ CZĘŚCI.
- UZYWAJ WYMAIAROWANYCH WYKONANIE.
- STWORZ SZYBKO MONTAŻOWĄ PRZEDSIĘWZIĘCIE.
- DOKONAĆ MONTAŻU.

WASSER	WASSER	WASSER	WASSER	WASSER	WASSER
WASSER	WASSER	WASSER	WASSER	WASSER	WASSER
WASSER	WASSER	WASSER	WASSER	WASSER	WASSER
WASSER	WASSER	WASSER	WASSER	WASSER	WASSER
WASSER	WASSER	WASSER	WASSER	WASSER	WASSER
WASSER	WASSER	WASSER	WASSER	WASSER	WASSER

PORTUGUÊS

CONSELHOS DE MONTAGEM:

- ESTUDE BEM AS INSTRUÇÕES DE MONTAGEM.
- RECONHEÇA AS PEÇAS QUE CONSTITUEM O SEU MÓVEL.
- USE APENAS AS FERRAMENTAS E OS MATERIAIS NECESSÁRIOS.
- PREPARE UMA ZONA PARA A MONTAGEM.
- FAÇA A MONTAGEM.

WASSER	WASSER	WASSER	WASSER	WASSER	WASSER
WASSER	WASSER	WASSER	WASSER	WASSER	WASSER
WASSER	WASSER	WASSER	WASSER	WASSER	WASSER
WASSER	WASSER	WASSER	WASSER	WASSER	WASSER
WASSER	WASSER	WASSER	WASSER	WASSER	WASSER
WASSER	WASSER	WASSER	WASSER	WASSER	WASSER

ITALIANO - SVIZZERA

CONSIGLI DI MONTAGGIO:

- STUDIARE BENE LE ISTRUZIONI DI MONTAGGIO.
- PRENDERE CONSCIOZZA DELLA STRUTTURA DEL MOBILE.
- USARE SOLO GLI STRUMENTI E I MATERIALI NECESSARI.
- PREPARARE UNA ZONA DI MONTAGGIO.
- PROCEDERE AL MONTAGGIO.

WASSER	WASSER	WASSER	WASSER	WASSER	WASSER
WASSER	WASSER	WASSER	WASSER	WASSER	WASSER
WASSER	WASSER	WASSER	WASSER	WASSER	WASSER
WASSER	WASSER	WASSER	WASSER	WASSER	WASSER
WASSER	WASSER	WASSER	WASSER	WASSER	WASSER
WASSER	WASSER	WASSER	WASSER	WASSER	WASSER

ESPAÑOL

CONSEJOS PARA EL MONTAJE:

- ESTUDIAR ATENTAMENTE EL MANUAL DE MONTAJE.
- CONOCER LA ESTRUCTURA DEL MUEBLE.
- USAR ÚNICAMENTE LAS HERRAMIENTAS Y MATERIALES NECESARIOS.
- PREPARAR UNA ZONA DE MONTAJE.
- PROCEDER AL MONTAJE.

WASSER	WASSER	WASSER	WASSER	WASSER	WASSER
WASSER	WASSER	WASSER	WASSER	WASSER	WASSER
WASSER	WASSER	WASSER	WASSER	WASSER	WASSER
WASSER	WASSER	WASSER	WASSER	WASSER	WASSER
WASSER	WASSER	WASSER	WASSER	WASSER	WASSER
WASSER	WASSER	WASSER	WASSER	WASSER	WASSER

HRVATSKA

UPUTE ZA MONTAŽU:

- PAŽLJIVO PROČITAJTE UPUTE ZA MONTAŽU.
- PREPRIJETE SVJE DIOVE I NAMIJESTAJE.
- PREPRIJETE SVJE DIOVE I NAMIJESTAJE.
- PREPRIJETE SVJE DIOVE I NAMIJESTAJE.
- PREPRIJETE SVJE DIOVE I NAMIJESTAJE.
- PREPRIJETE SVJE DIOVE I NAMIJESTAJE.

WASSER	WASSER	WASSER	WASSER	WASSER	WASSER
WASSER	WASSER	WASSER	WASSER	WASSER	WASSER
WASSER	WASSER	WASSER	WASSER	WASSER	WASSER
WASSER	WASSER	WASSER	WASSER	WASSER	WASSER
WASSER	WASSER	WASSER	WASSER	WASSER	WASSER
WASSER	WASSER	WASSER	WASSER	WASSER	WASSER

TÜRKÇE

BAKIM TALİMATLARI:

- MONTAJI DİKKATLE OKUYUN VE İZLENİMLERİ NOT ALIN.
- MONTAJI YAPMADAN ÖCEK BİLEŞENLERİ İZLEYİN.
- MONTAJI YAPMADAN ÖCEK BİLEŞENLERİ İZLEYİN.
- MONTAJI YAPMADAN ÖCEK BİLEŞENLERİ İZLEYİN.
- MONTAJI YAPMADAN ÖCEK BİLEŞENLERİ İZLEYİN.
- MONTAJI YAPMADAN ÖCEK BİLEŞENLERİ İZLEYİN.

WASSER	WASSER	WASSER	WASSER	WASSER	WASSER
WASSER	WASSER	WASSER	WASSER	WASSER	WASSER
WASSER	WASSER	WASSER	WASSER	WASSER	WASSER
WASSER	WASSER	WASSER	WASSER	WASSER	WASSER
WASSER	WASSER	WASSER	WASSER	WASSER	WASSER
WASSER	WASSER	WASSER	WASSER	WASSER	WASSER

SRBIJA

SAVETI ZA MONTAŽU:

- PAŽLJIVO PROČITAJTE UPUTE ZA MONTAŽU.
- PREPRIJETE SVJE DIOVE I NAMIJESTAJE.
- PREPRIJETE SVJE DIOVE I NAMIJESTAJE.
- PREPRIJETE SVJE DIOVE I NAMIJESTAJE.
- PREPRIJETE SVJE DIOVE I NAMIJESTAJE.
- PREPRIJETE SVJE DIOVE I NAMIJESTAJE.

WASSER	WASSER	WASSER	WASSER	WASSER	WASSER
WASSER	WASSER	WASSER	WASSER	WASSER	WASSER
WASSER	WASSER	WASSER	WASSER	WASSER	WASSER
WASSER	WASSER	WASSER	WASSER	WASSER	WASSER
WASSER	WASSER	WASSER	WASSER	WASSER	WASSER
WASSER	WASSER	WASSER	WASSER	WASSER	WASSER