



JANE 2S

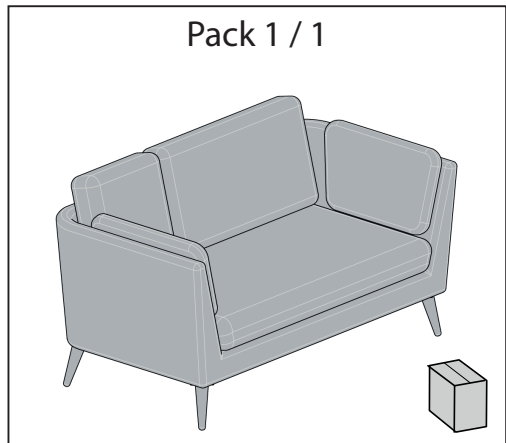
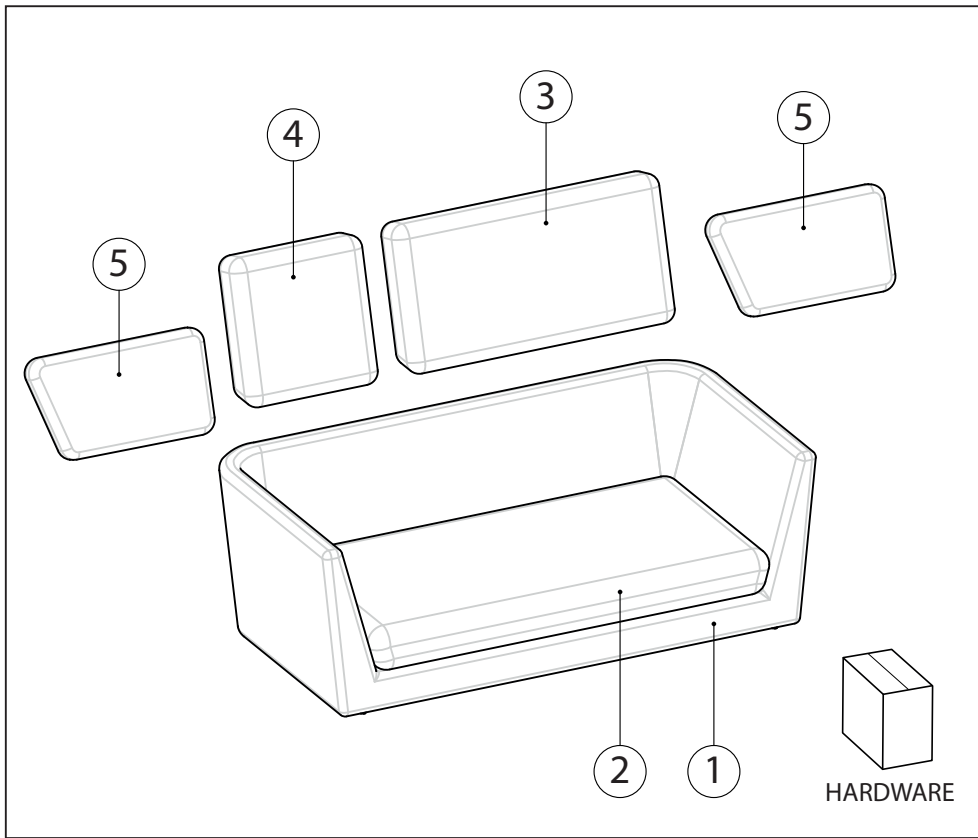
VERSION NO.: 01-03.04.20





5min



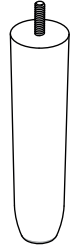
x2

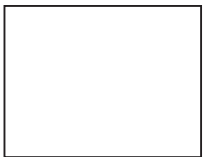
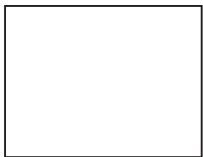
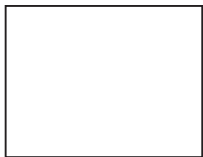
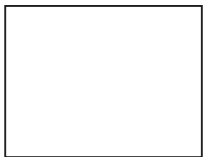
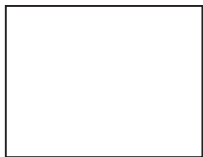


A $\phi 20$

 2002004 x5

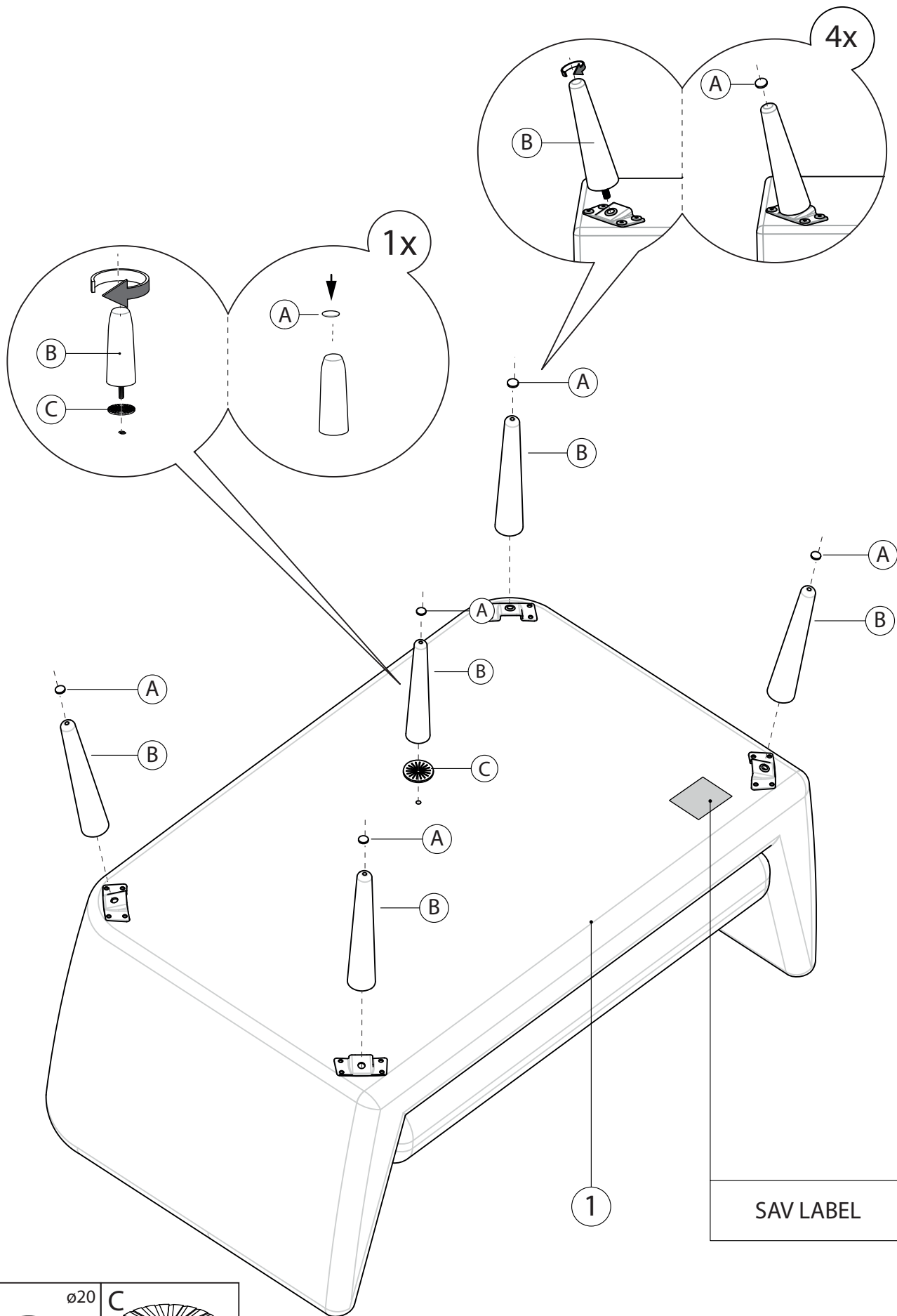
C

 200200 x1



B h=180

 300107 x5



1



B h=180



300107 x5

A ø20



2002004 x5

C



200200 x1

SAV LABEL

