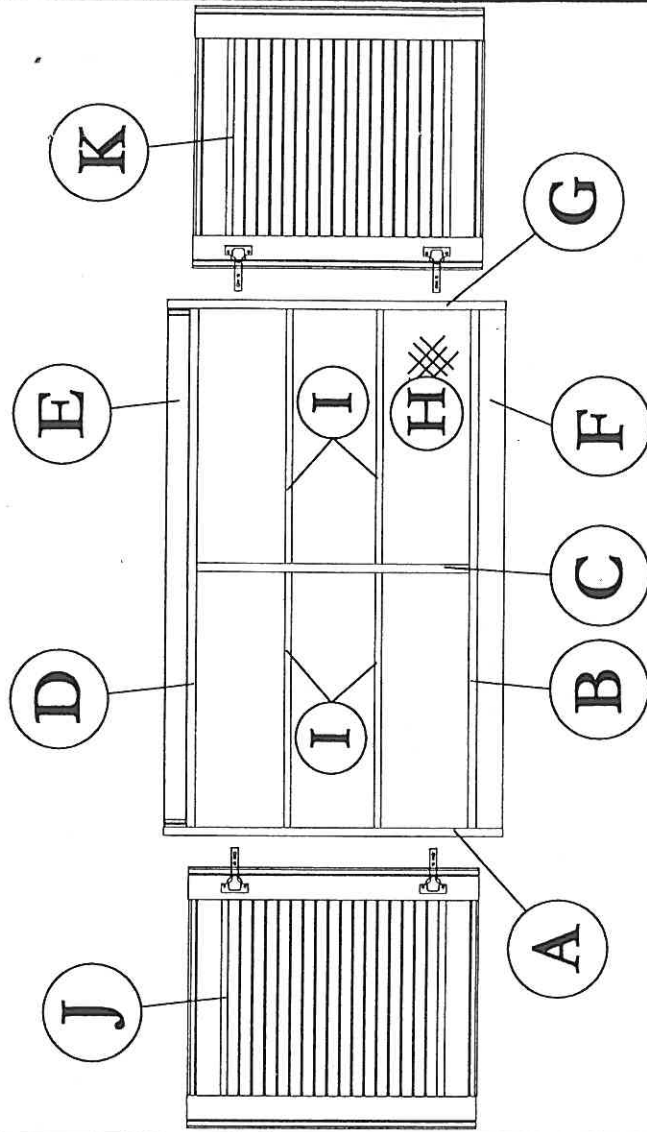
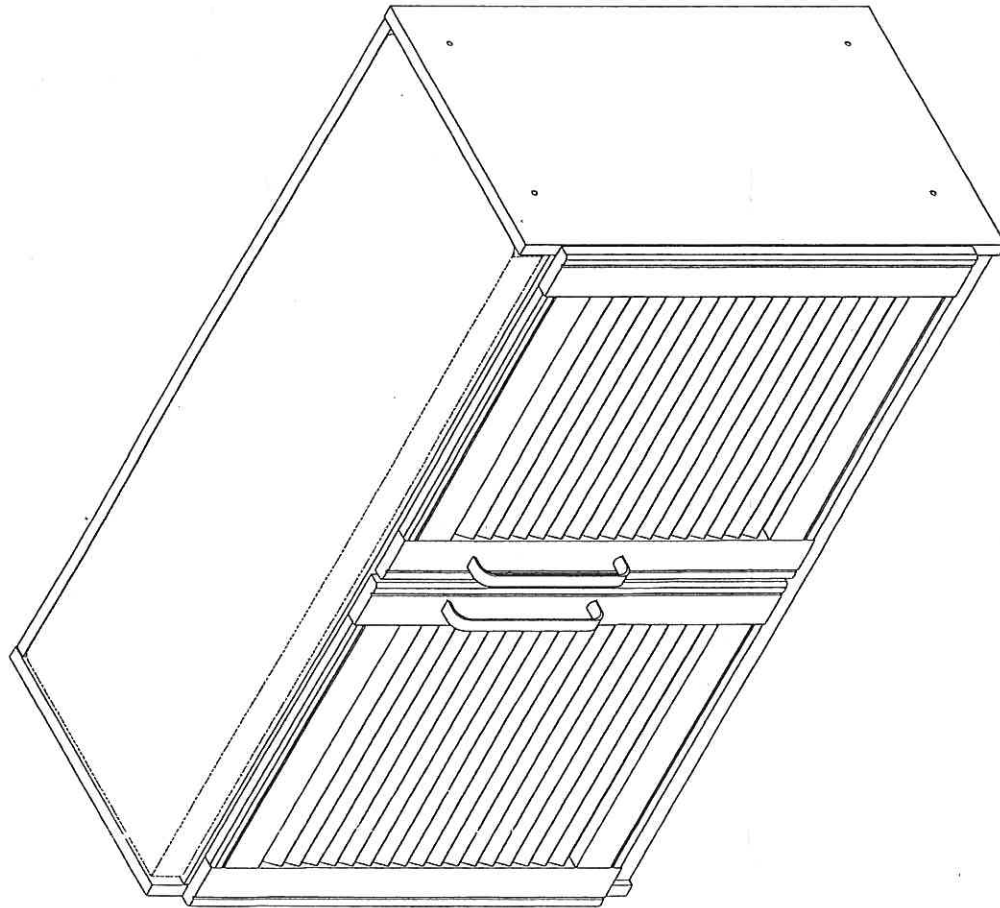


CAUTION:

To clean use soft, dry cloth. Do not use detergent or chemicals
Avoid contact with water and direct sunlight.
To be assembled on a soft, dry, clean and smooth surface.

ORDERING REPAIR PARTS

In order to obtain smooth and rapid service when ordering repair parts,
please give full attention to the following of PART NUMBER.



NO	DESCRIPTION	QTY
A	LEFT SIDE	01
B	LOWER SHELF	01
C	CENTRE VERTICAL	01
D	UPPER SHELF	01
E	HORIZONTAL SHELF	01
F	LEG	02

NO	DESCRIPTION	QTY
G	RIGHT SIDE	01
H	BACK	02
I	MOVABLE SHELF	04
J	LEFT SIDE DOOR	01
K	RIGHT SIDE DOOR	01

COMPLETE SET